

Halton Jaz JMC – Nozzle diffuser



Overview

Halton Jaz JMC is a square diffuser with a circular nozzle area that supplies air in a swirl pattern. The adjustable nozzle pattern makes the diffuser flexible for various use cases and the throw pattern easy to adjust.

Application area

- Ventilation in offices, hospital rooms, schools, and public spaces.

Key features

- Swirl function with adjustable nozzles
- Silent function also with large airflows
- Adjusting and measuring with balancing plenum Halton Pop PDI

Operating principle

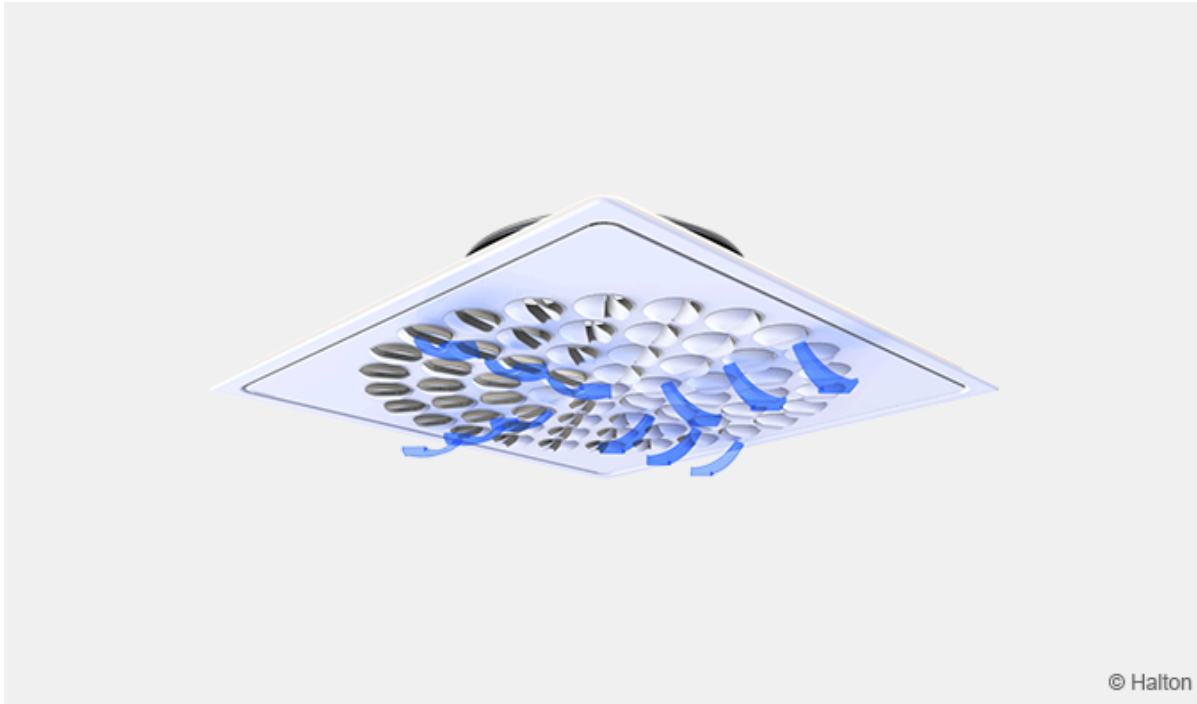


Fig. 1. Operating principle of Halton Jaz JMC

Air is supplied into the space through nozzles of the front panel. Two-channel design of the nozzles allows silent operation and high induction rate.

The throw pattern of the diffuser can be adjusted by turning nozzles to desired direction. By default, each nozzle is oriented tangentially to the circular shape, which leads to swirl function of the throw pattern. Custom patterns are also possible thanks to the individually adjustable nozzles. Direction of the supply air jet has no effect on the noise level, pressure drop or airflow rate.

The recommended maximum temperature difference between supply and room air is 10 °C.

Key technical data

Feature	Description
Airflow rate	Max. airflow rate 153 l/s or 550 m ³ /h, <35 dB
Dimensions	595 x 595 mm
Weight	4 – 4.4 kg
Adjustability	Individually adjustable nozzles

Features and options

Category	Feature (order code)	Option (order code)	Description
Diffuser	Duct connection size (D)	125, 160, 200, 250 or 315	Five nominal duct connection sizes. Units are in millimetres.
	Diffuser size (A)	600	595x595x70 mm. Available with all duct connection sizes.
Balancing plenum PDI (subproduct [*])	Model (M)	S	With supply airflow adjustment and measurement module MSM
		E	With exhaust airflow adjustment module MEM
		N	Without airflow adjustment module
	Sizes	D	Plenum's duct connection size. It can be either the same or one size bigger than diffusers duct connection.
		E	Diffuser connection size. Must be the same size than diffusers duct connection size.
	Sound attenuation material (AT)	P	With polyester attenuation material
		W	With mineral wool attenuation material
		NA	Without attenuation material

* Orderd separately

Quick selection

Values with adjustment module (MSM) fully open.

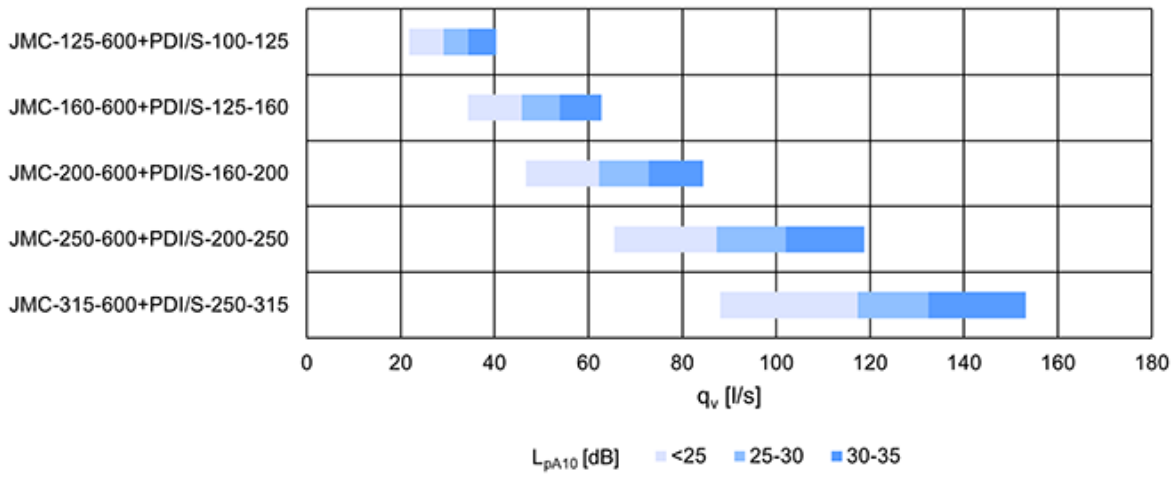


Fig. 2. Quick selection with unit l/s

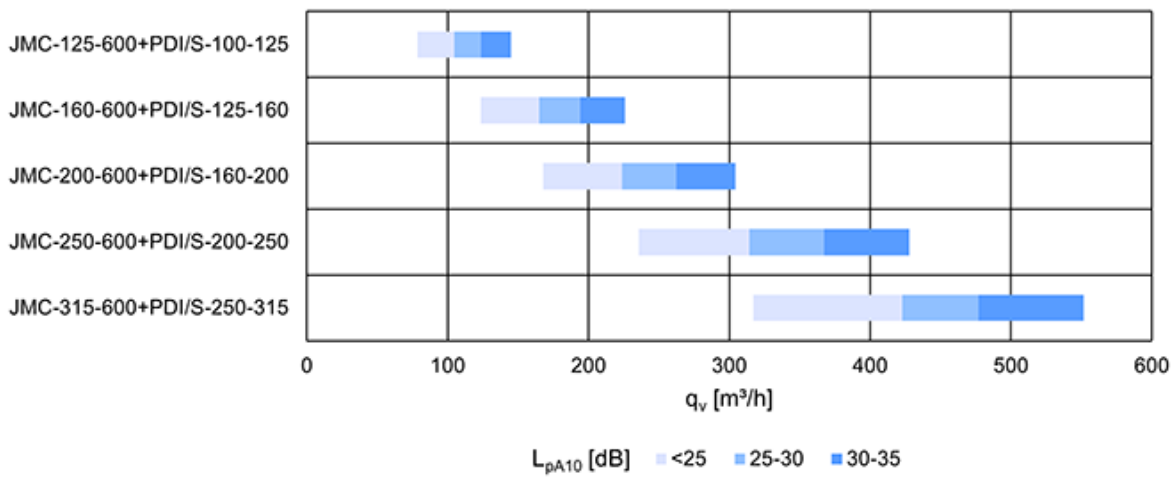
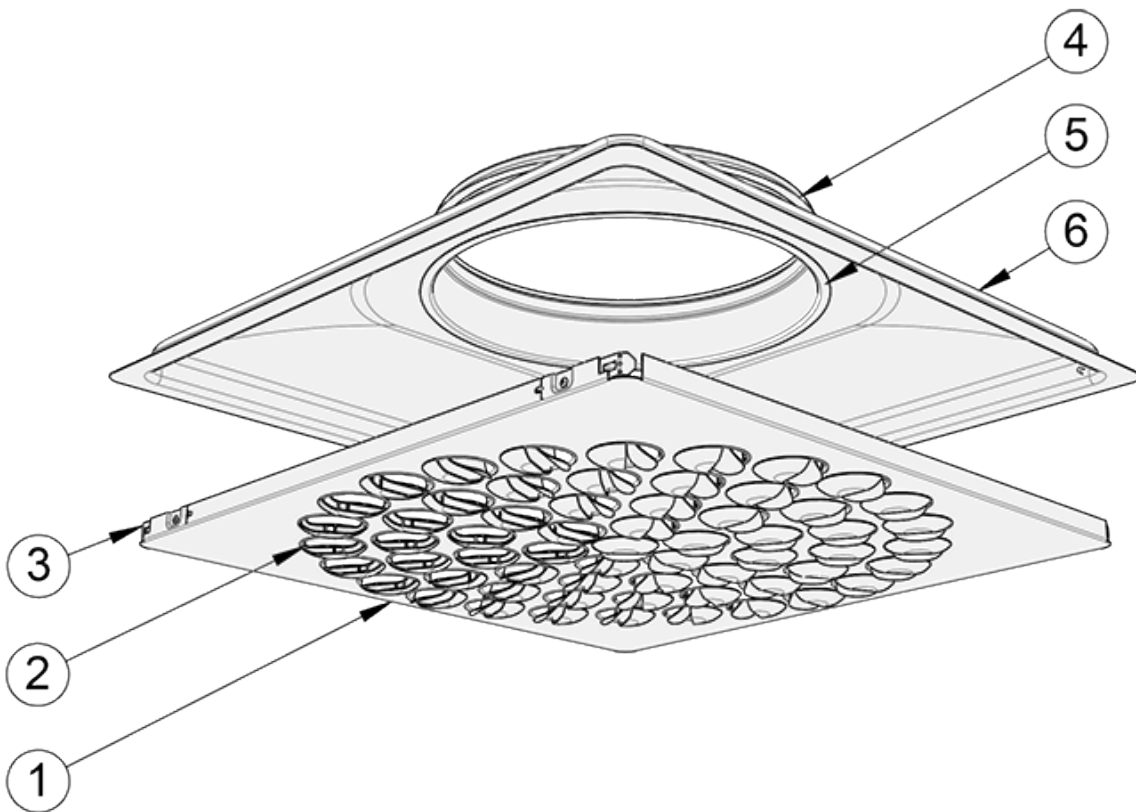


Fig. 3. Quick selection with unit m³/h

Structure and materials



No.	Part	Description	Note
1	Front panel	Polyester-painted steel, white (RAL 9003/30%)	Special colours available
2	Nozzles	Plastic, polyacetal (POM)	Colour alternatives: white, black and grey
3	Front panel springs	Stainless steel	–
4	Duct seal gasket	Polymer	–
5	Spigot	Galvanised steel	–
6	Casing	Polyester-painted steel, white (RAL 9003/30%)	Special colours available

Dimensions and weight

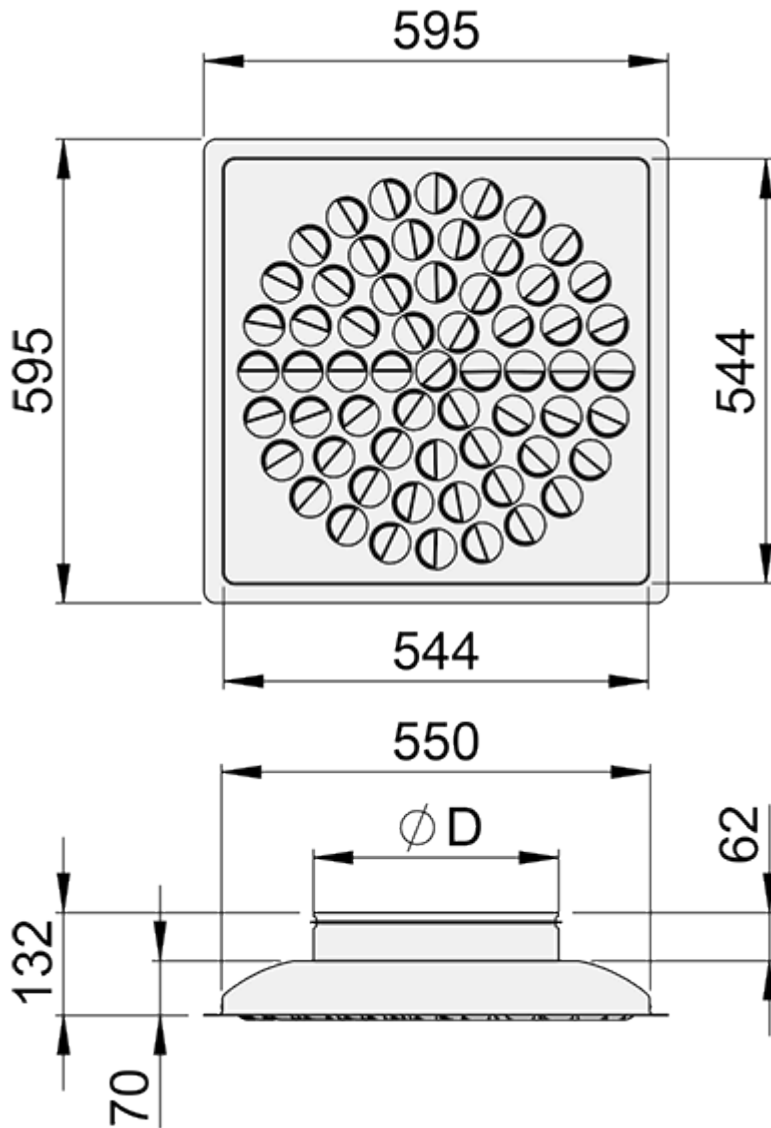


Fig.4. Dimensions of Halton Jaz JMC diffuser

JMC	$\varnothing D$ [mm]	Number of nozzles	Weight [kg]
125-600	124	19	4.4
160-600	159	37	4.3
200-600	199	37	4.3
250-600	249	61	4.1
315-600	314	61	4.0

Halton Jaz JMC with Halton Pop PDI plenum

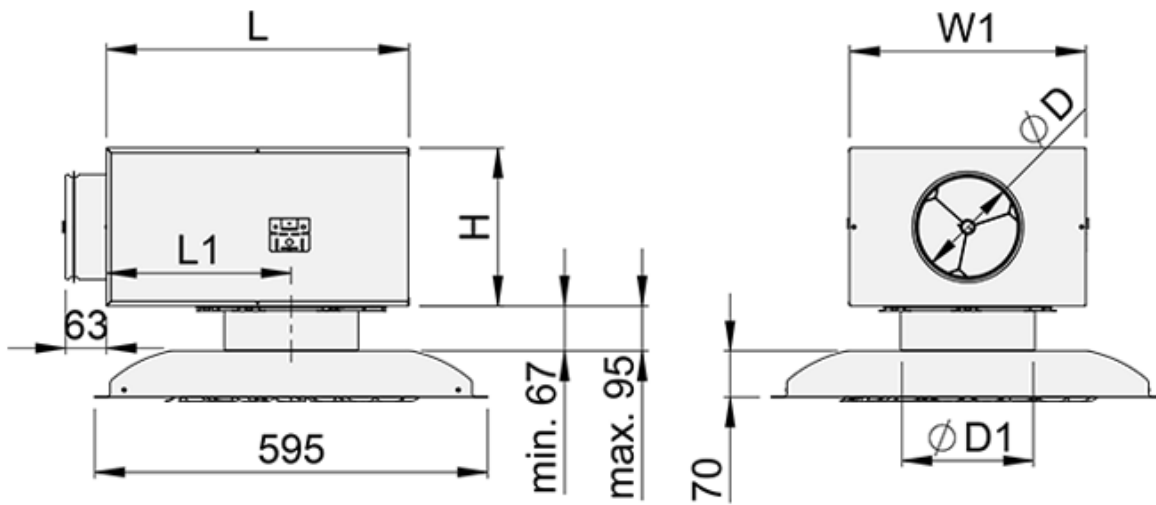


Fig. 5. Dimensions of Halton Jaz JMC with Halton Pop PDI plenum, externally positioned connection spigot

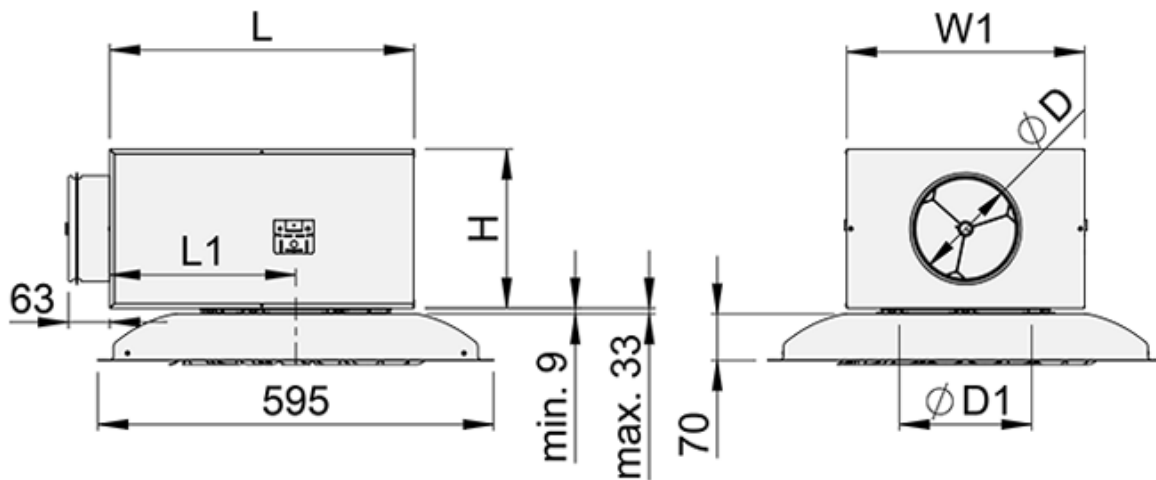


Fig. 6. Dimensions of Halton Jaz JMC with Halton Pop PDI plenum, internally positioned connection spigot

JMC	PDI	ØD [mm]	ØD1 [mm]	L [mm]	W1 [mm]	H [mm]	L1 [mm]	Weight [kg]
125-600	100-125	99	127	308	282	172	168	4.7
	125-125	124	127	308	282	172	168	4.8
160-600	125-160	124	162	308	282	172	168	7.1
	160-160	159	162	458	358	239	280	9.4
200-600	160-200	159	202	458	358	239	280	8.9
	200-200	199	202	458	358	239	280	9.0
250-600	200-250	199	252	458	358	239	280	9.0
	250-250	249	252	520	480	359	280	12.3
315-600	250-315	249	317	520	480	359	280	12.2
	315-315	314	317	520	480	359	280	12.4

Specification

Square nozzle diffuser with circular pattern for false ceiling installation, fulfilling the following requirements:

Structure

- Front panel openable and removable to allow general maintenance and cleaning.
- Front panel removable without special tools.
- Round nozzle pattern with swirl air distribution.
- Individually adjustable nozzles to change air distribution upon need.
- Two-slot nozzle design to ensure efficient air mixing and silent operation.
- Unit width 595 mm, height 70 mm.
- Inlet duct diameter 125, 160, 200, 250 or 315 mm.

Materials

- Casing and front panel manufactured from steel.
- Casing and front panel white, powder painted in RAL 9003, 30 % gloss.
- Connection spigot manufactured from galvanized steel.
- Connection spigot equipped with fixed gasket.

Model with balancing plenum

- Diffuser to be connected with a galvanised steel plenum Halton Pop PDI.
- Plenum has integrated gasket to ensure airtight duct connection.

- Plenum has a removable adjustment module MSM for supply or MEM for exhaust.

Packaging and identification

- The product is protected by removable plastic coating.
- The product is packed in a cardboard box.
- The product is identified by labels attached both to the product and the cardboard box.

Installation

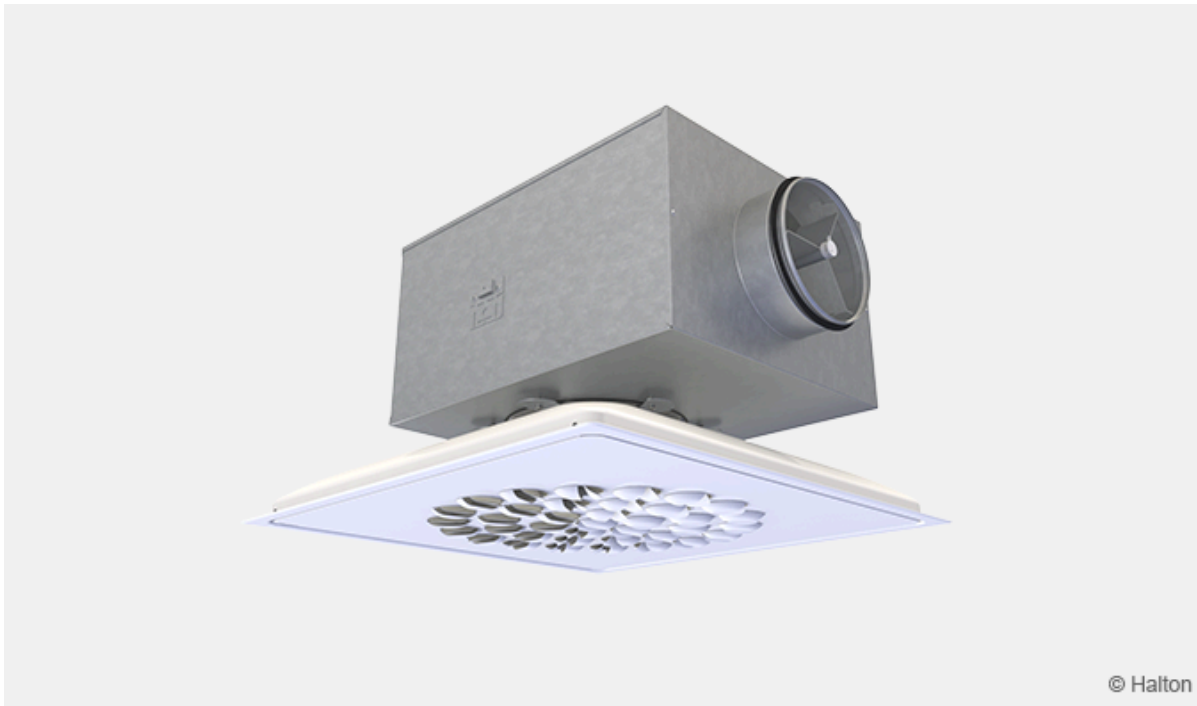


Fig. 7. Halton Jaz JMC diffuser connected to a Halton Pop PDI plenum

The diffuser is available in size 595×595 mm for direct installation to the modular T-bar ceiling (600×600) either above or below the list.

The diffuser is connected usually to balancing plenum Halton Pop PDI (Fig. 7). Alternatively, it can be connected direct to the duct by riveting or screwing. In that case, minimum safety distance to the next T-branch or curve is three times the duct diameter (3xD).

Commissioning

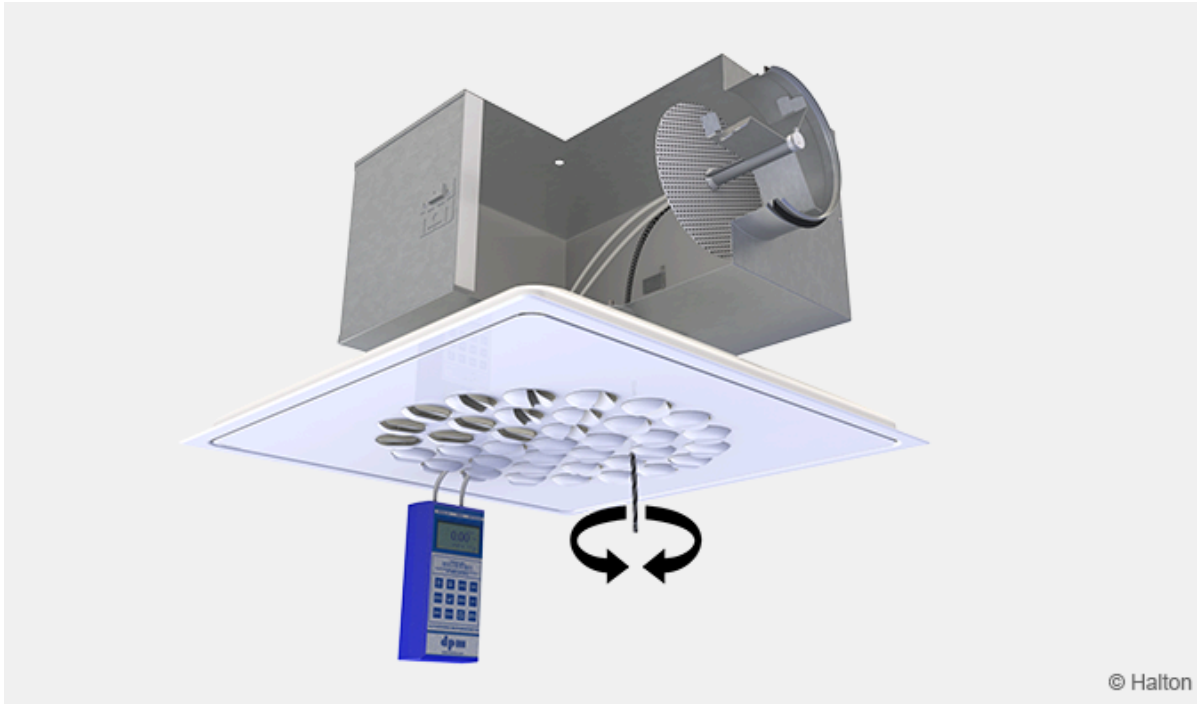


Fig. 8. Adjustment of airflow of diffuser and plenum combination.

Airflow control

The diffuser itself has no airflow adjustment. To adjust and measure the supply airflow rate, the diffuser shall be combined with Halton Pop PDI balancing plenum with measurement and adjustment module MSM. In case of exhaust air, use of adjustment module MEM is recommended. It is not possible to measure exhaust airflow rate with adjustment module MEM.

Open the front plate and pass the tubes and control spindle through the front panel (*Fig. 8*). Replace the front panel. Measure the differential pressure with a manometer. The flow rate is calculated using the formula below:

$$q_v = k\sqrt{\Delta p_m}$$

where

- q_v Airflow rate [l/s] or [m³/h]
- Ωp_m Measured pressure [Pa]
- k The k factor (see the table below)

Adjust the airflow rate by rotating the control spindle until the desired airflow rate (pressure difference) is achieved.

Set the tubes and spindle back into the plenum. Damper position can be locked with a knurled head screw of the adjuster.

Duct connection (PDI)	k factor for MSM adjuster, opening > 0, [l/s]	
	> 8D	Min. 3D
100	5.7	7.5
125	9.6	12.6
160	16.4	21.9
200	26.3	31.0
250	47.1	51.5
315	78.8	–

Duct connection (PDI)	k factor for MSM adjuster, opening > 0, [m ³ /h]	
	> 8D	Min. 3D
100	20.6	27.0
125	34.4	45.4
160	59.0	78.8
200	94.8	111.6
250	169.5	185.4
315	283.6	–

Maintenance

Detach the front panel of the diffuser and let it balance on the hinges. If needed, each nozzle can be easily removed by pressing the stoppers and then pushing the nozzle through the front panel. Wipe the diffuser casing, nozzles and front panel with damp cloth.

The nozzles are replaced into the front panel by pushing. After cleaning reattach the front panel.

Option with balancing plenum

Remove the measurement and adjustment module by gently pulling from the shaft; not from the control spindle or measurement tubes.

Wipe the components with damp cloth instead of immersing in water. Wipe also the inner part of the plenum; detach the attenuation material if needed.

Reassemble the module by pushing the shaft until the unit meets the stopper.

After cleaning reattach the front panel.

Order code

JMC/D-A, CO-ZT

Main options	
D = Diffuser duct connection size [mm]	125, 160, 200, 250, 315
A = Diffuser size [mm]	600
Other options and accessories	
C = Colour	
SW	Signal white (RAL 9003)
X	Special colour (RAL xxxx)
ZT = Taylored product	
N	No
Y	Yes (ETO)
Sub products and accessories (ordered separately)	
Halton Pop PDI	Balancing plenum

Order code example

JMC-200-600; CO=SW, ZT=N