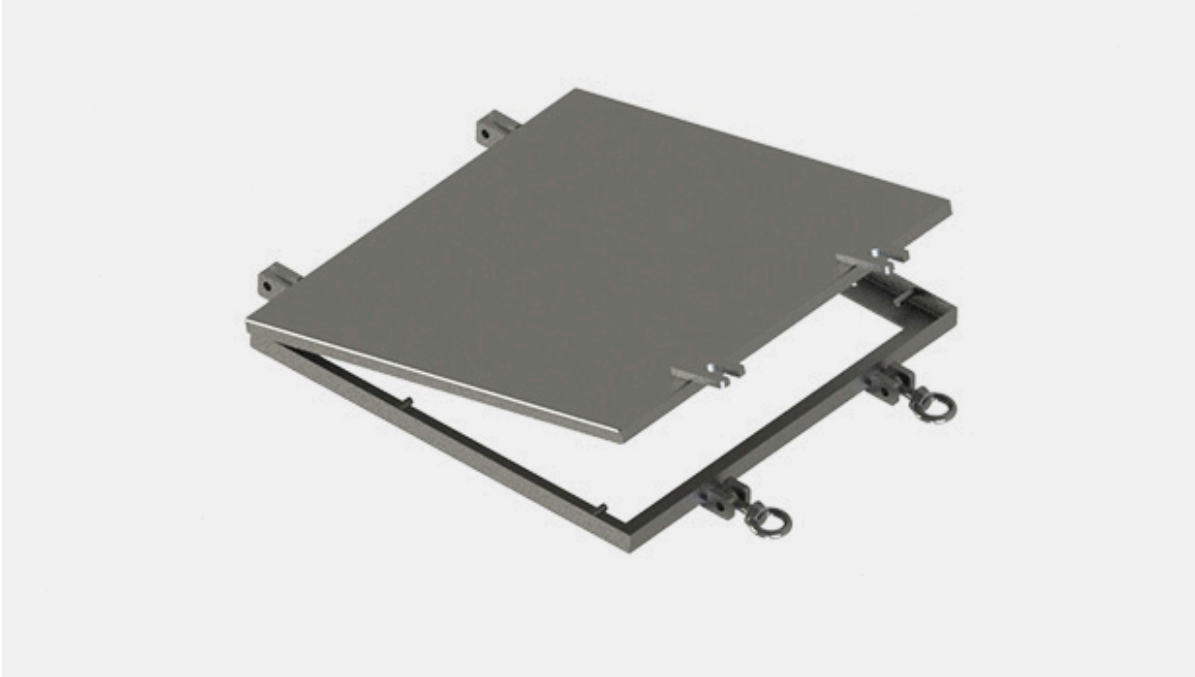


WTH – Weather tight hatch



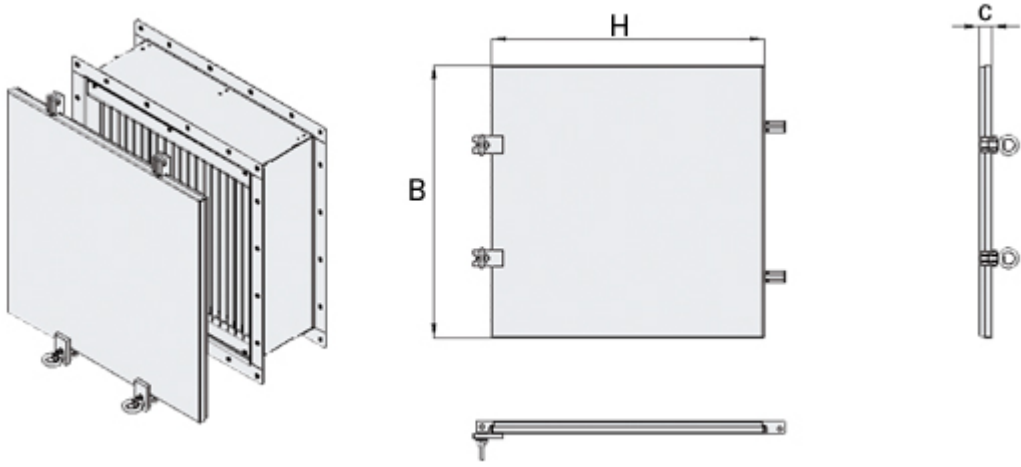
Overview

- Weather tight cover to use with droplet separators, louvres and dampers
- Easy to open and close
- Easy to install
- No special maintenance required
- Variable open position
- Lockable
- Customized size and module design available
- Stainless steel as a standard, painted steel as an option

Specification

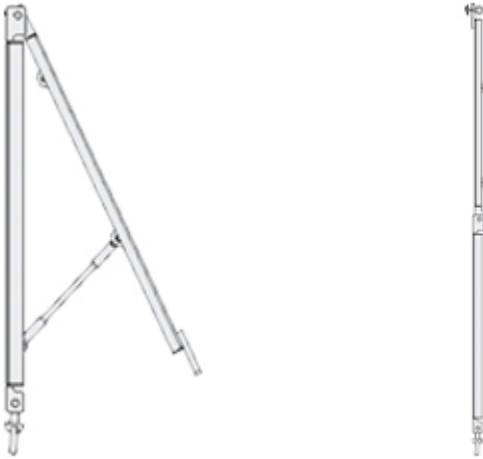
Halton's WTH effectively prevents rainwater, snow, leaves, animals and other objects from entering into ductwork. Halton's Weather Tight Hatch can be used as a cover for droplet separators and outdoor louvres. WTH is designed for demanding applications such as marine, oil & gas, chemical and energy industries where reliability and ease of installation play an important role. The hatch is used to shut down the ventilation openings in applications close to the waterline and even on rough seas.

Dimensions and Material Thickness



WTH hatches are manufactured for rectangular openings (width B 100-1200 mm and height H 100-1200 mm, with 1 mm division). Modular construction for larger sizes is available. Cover thickness (C) is minimum 34 mm, but is variable by material thickness.

Hatch opening



Option 1. Hatch opening in different angle based on customer requirement (picture on the left).
Option 2. Hatch opening 180 degrees with mounting brackets (picture on the right).

Material and Finishing

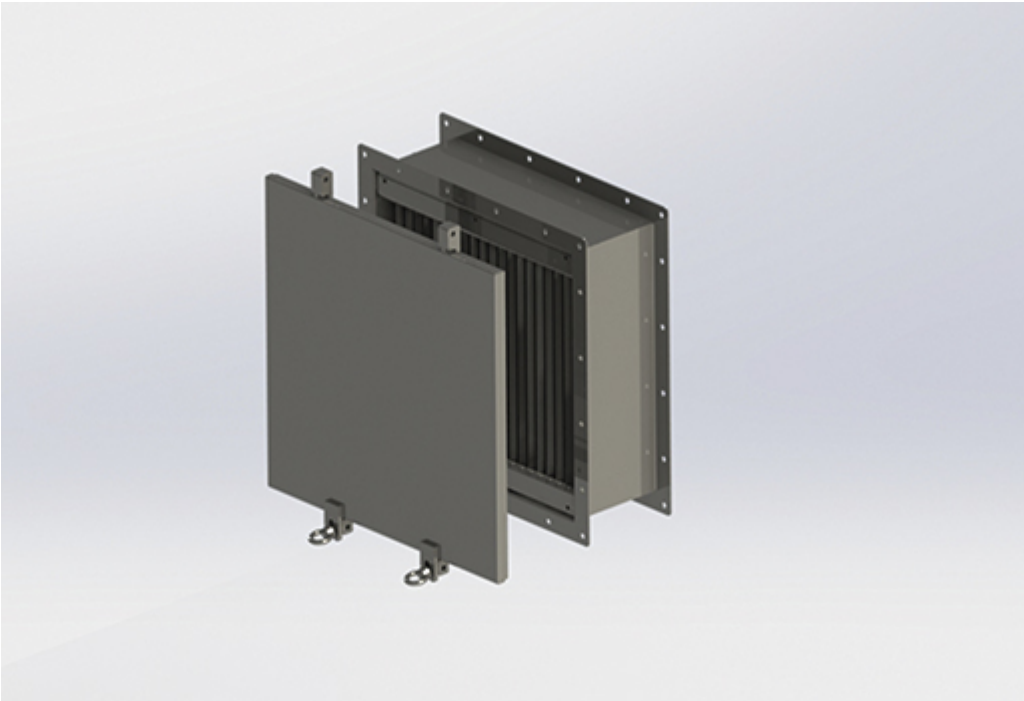
PART	MATERIAL	FINISHING	NOTE
Hatch cover	Steel	Painted* or galvanised	Thickness depends on size of the hatch
Hatch cover	Stainless steel EN 1.4404 (AISI316L)	–	Thickness depends on size of the hatch
Hatch frame	Steel	Painted* or galvanised	Frame material thickness 2.0 mm as standard
Hatch frame	Stainless steel EN 1.4404 (AISI316L)	–	Frame material thickness 2.0 mm as standard

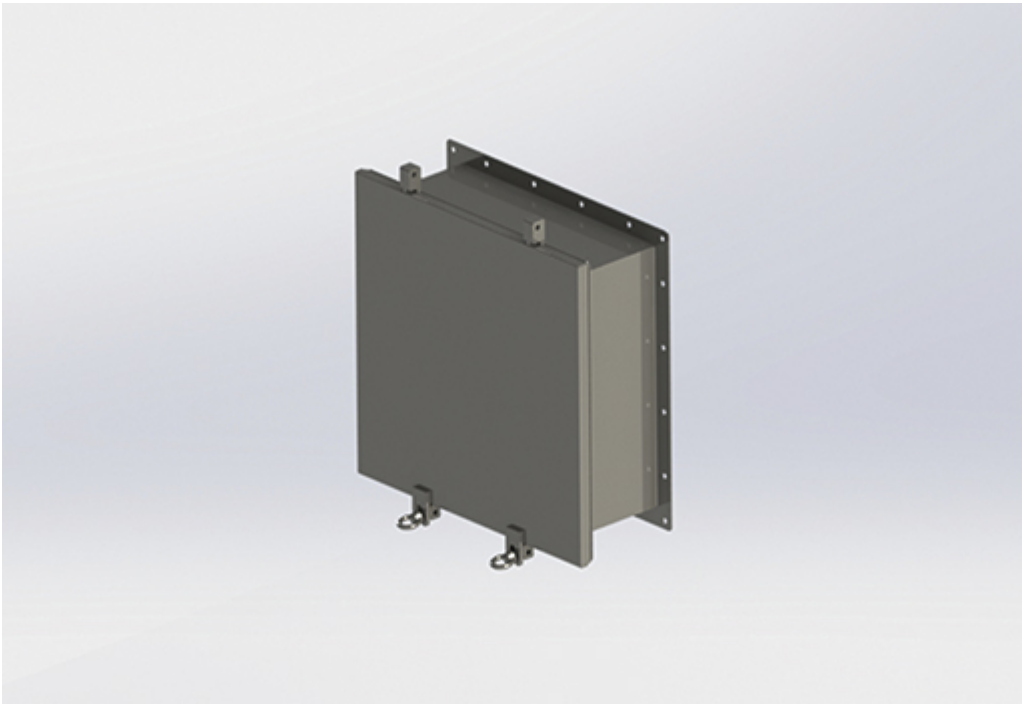
*) C2 average service life 5 years. C5-M with average service life of 10 years available as an option.

Installation

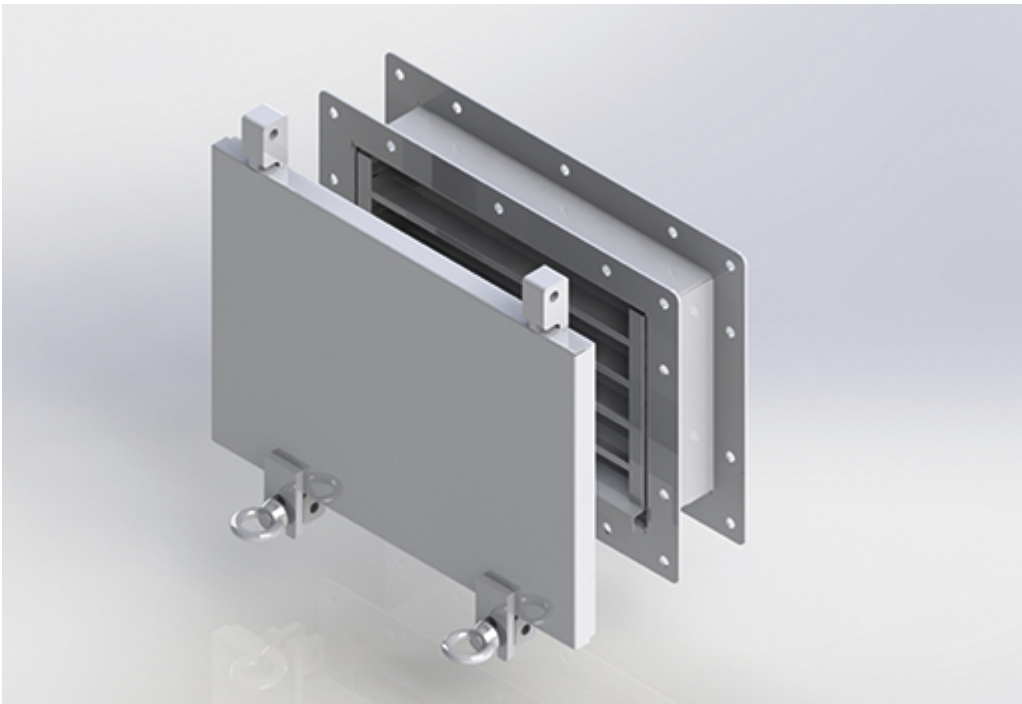
Halton WTH can be fitted with Halton Marine droplet separators, louvres and dampers.

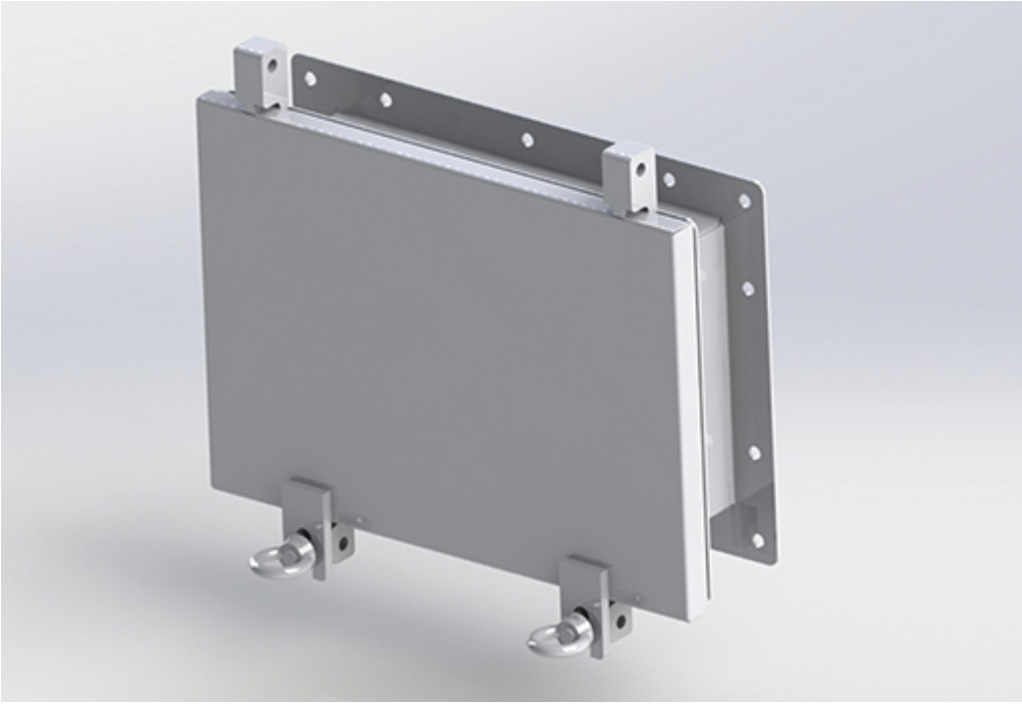
Installation with Halton Marine DSH droplet separator





Installation with Halton Marine USM external louvre





Installation with Halton Marine DSH droplet separator and UTG damper

