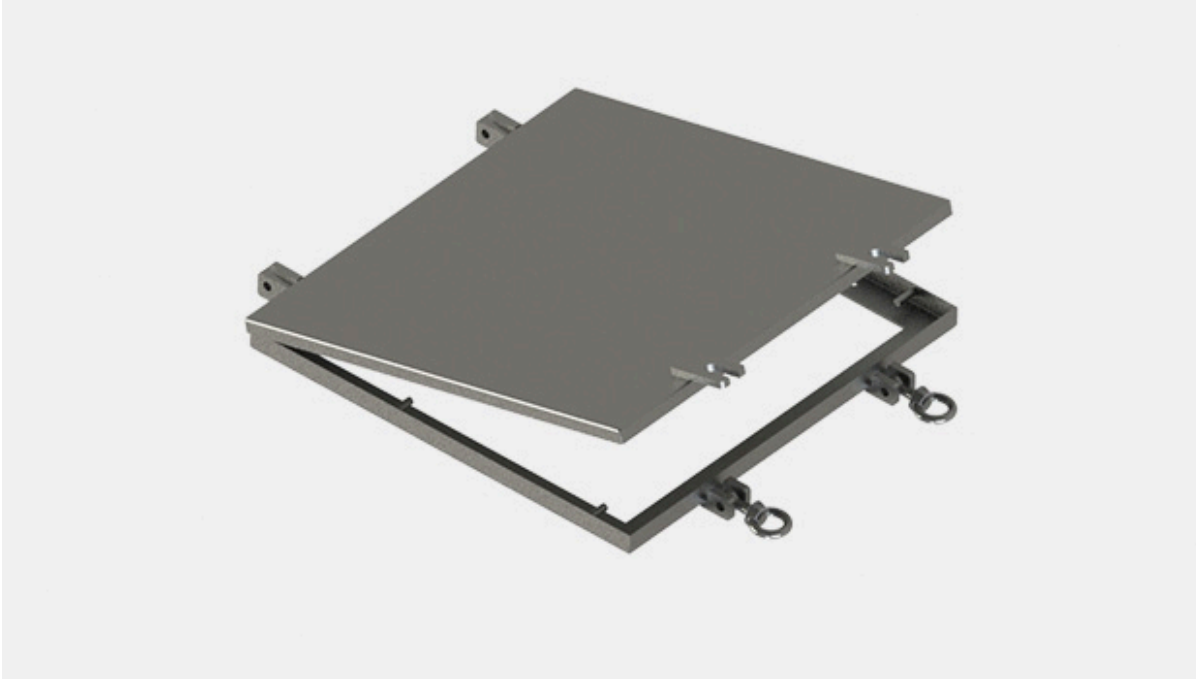


WTH 风雨密盖



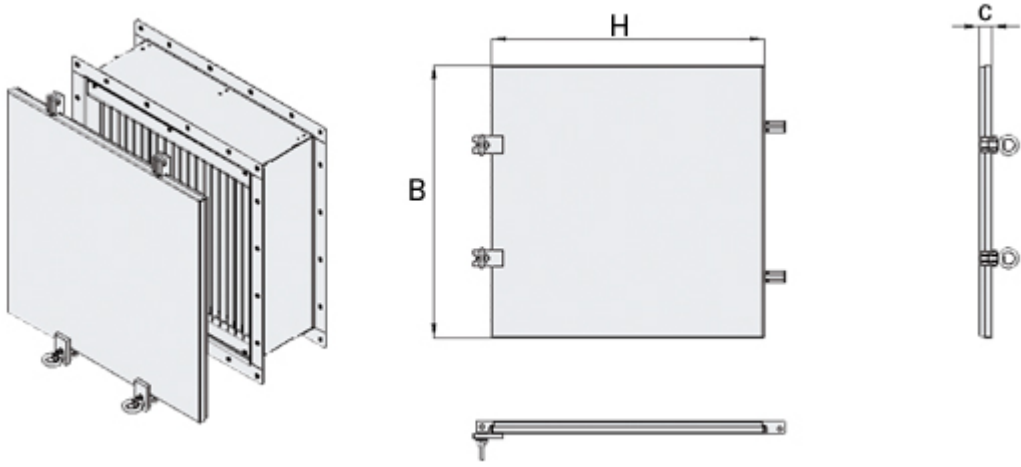
概览

- 风雨密盖可与 Halton Marine 气水分离器、百叶窗和调节阀配合使用
- 易于打开和关闭
- 易于安装
- 无需特殊维护
- 可变的打开位置
- 可锁定
- 可自定义尺寸和模块化设计
- 标配为不锈钢，可选配喷漆钢

规格

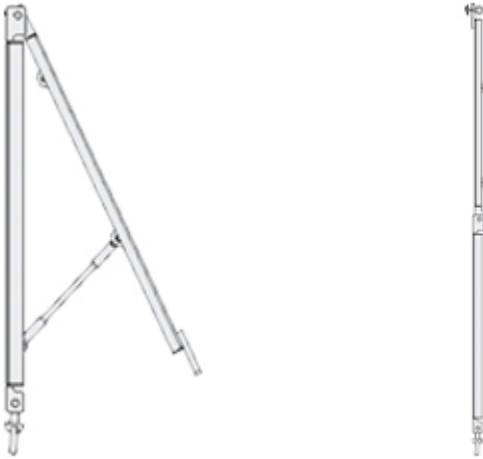
Halton WTH 能有效防止雨水、雪、树叶、动物及其他物体进入管道系统。Halton 风雨密盖可以用作气水分离器和外部百叶窗的外盖。WTH 专为船舶、石油和天然气、化学及能源等高要求应用行业而设计，能够满足上述行业对可靠性和安装简便性的需要。WTH 可用于关闭应用中靠近吃水线的进气口，即使是在海面风大浪急时，同样有效。

Dimensions and Material Thickness



WTH hatches are manufactured for rectangular openings (width B 100-1200 mm and height H 100-1200 mm, with 1 mm division). Modular construction for larger sizes is available. Cover thickness (C) is minimum 34 mm, but is variable by material thickness.

Hatch opening



Option 1. Hatch opening in different angle based on customer requirement (picture on the left).
Option 2. Hatch opening 180 degrees with mounting brackets (picture on the right).

Material and Finishing

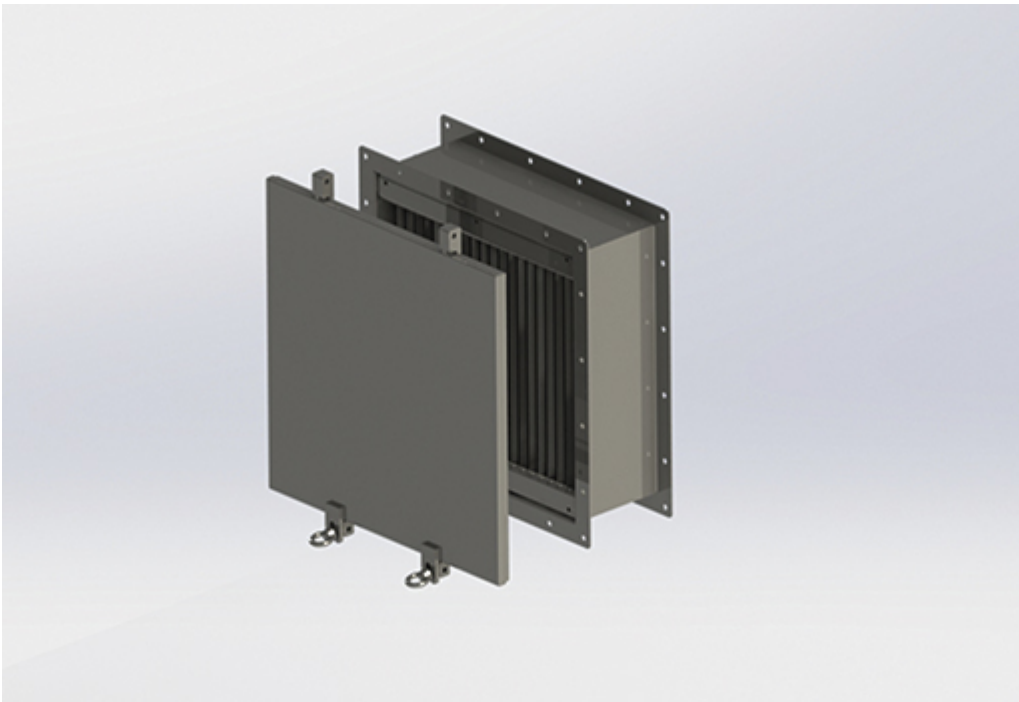
PART	MATERIAL	FINISHING	NOTE
Hatch cover	Steel	Painted* or galvanised	Thickness depends on size of the hatch
Hatch cover	Stainless steel EN 1.4404 (AISI316L)	–	Thickness depends on size of the hatch
Hatch frame	Steel	Painted* or galvanised	Frame material thickness 2.0 mm as standard
Hatch frame	Stainless steel EN 1.4404 (AISI316L)	–	Frame material thickness 2.0 mm as standard

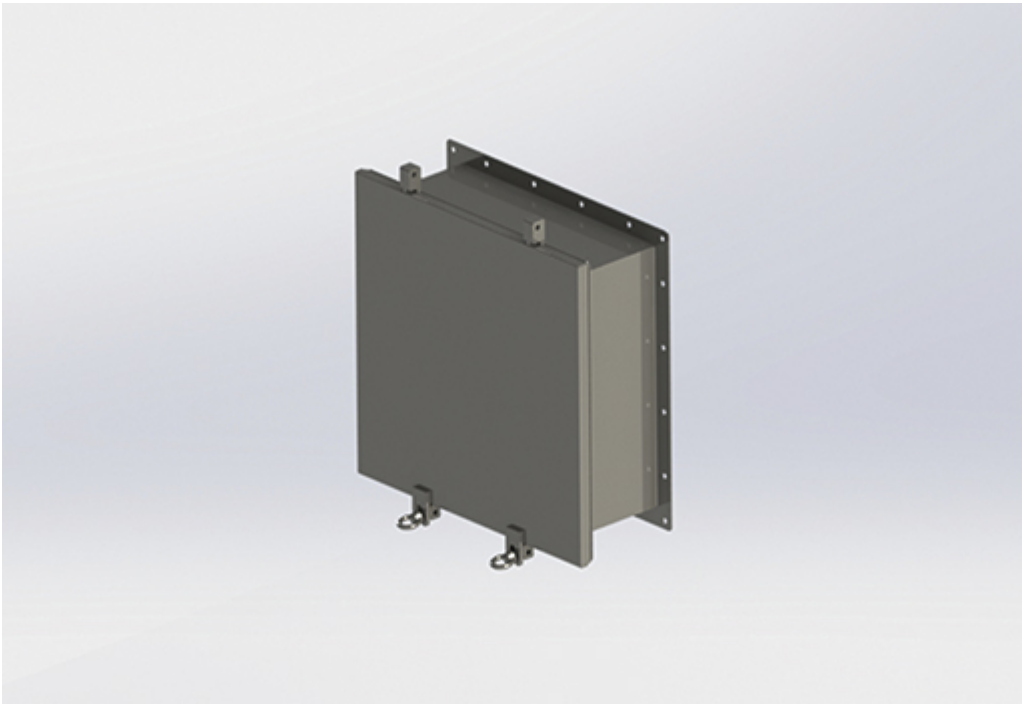
*) C2 average service life 5 years. C5-M with average service life of 10 years available as an option.

Installation

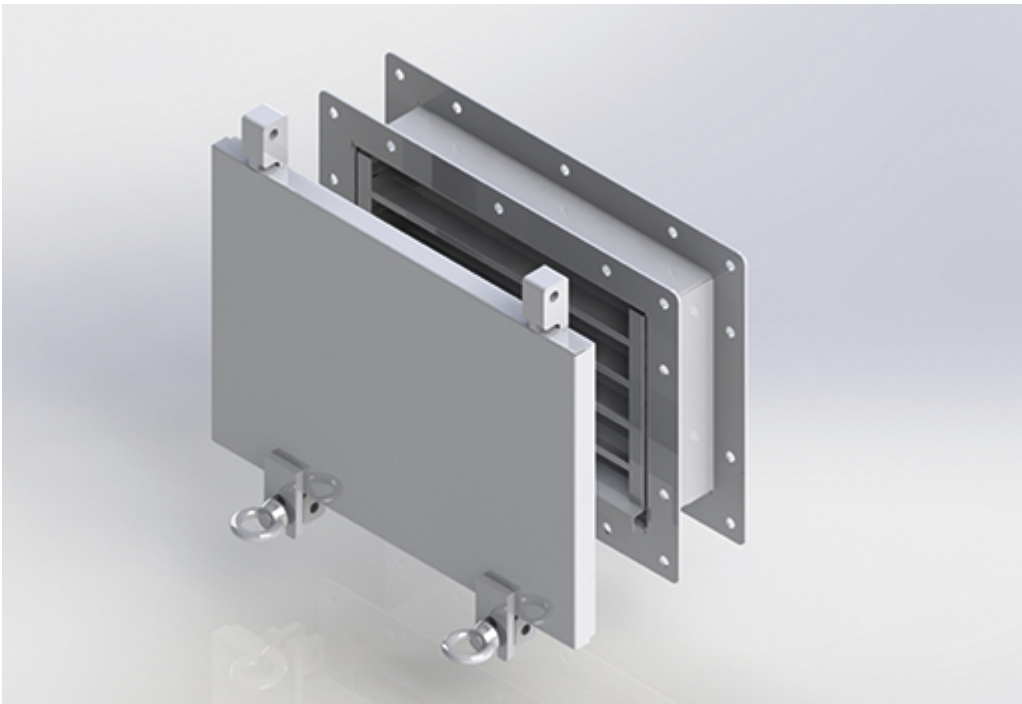
Halton WTH can be fitted with Halton Marine droplet separators, louvres and dampers.

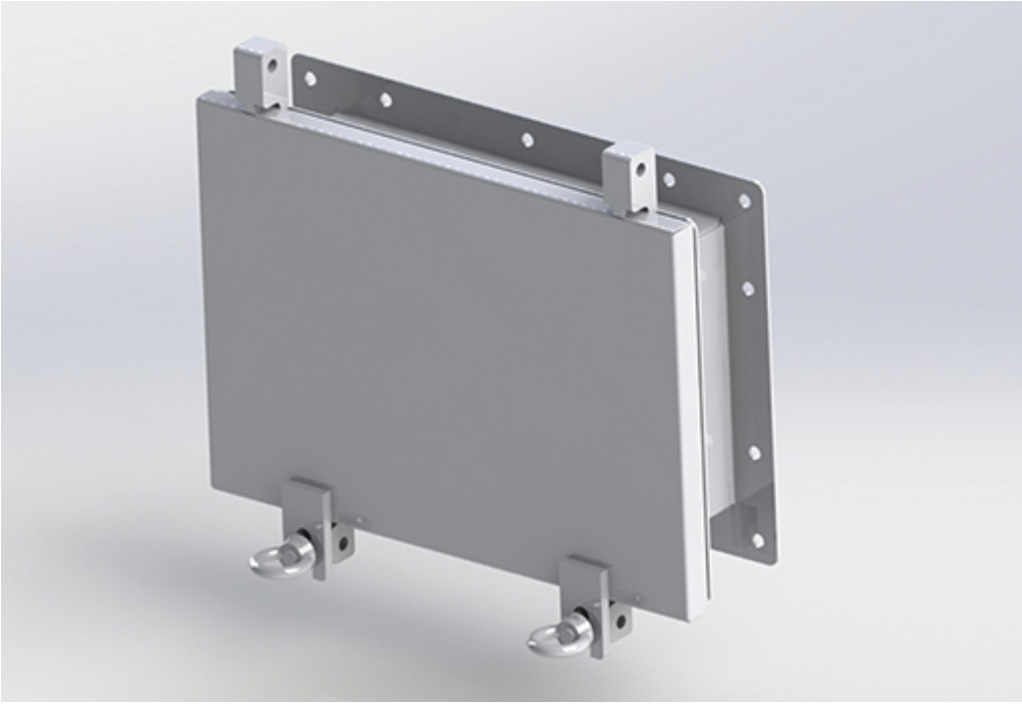
Installation with Halton Marine DSH droplet separator





Installation with Halton Marine USM external louvre





Installation with Halton Marine DSH droplet separator and UTG damper

