

TDMS 厨房圆形顶棚散流器



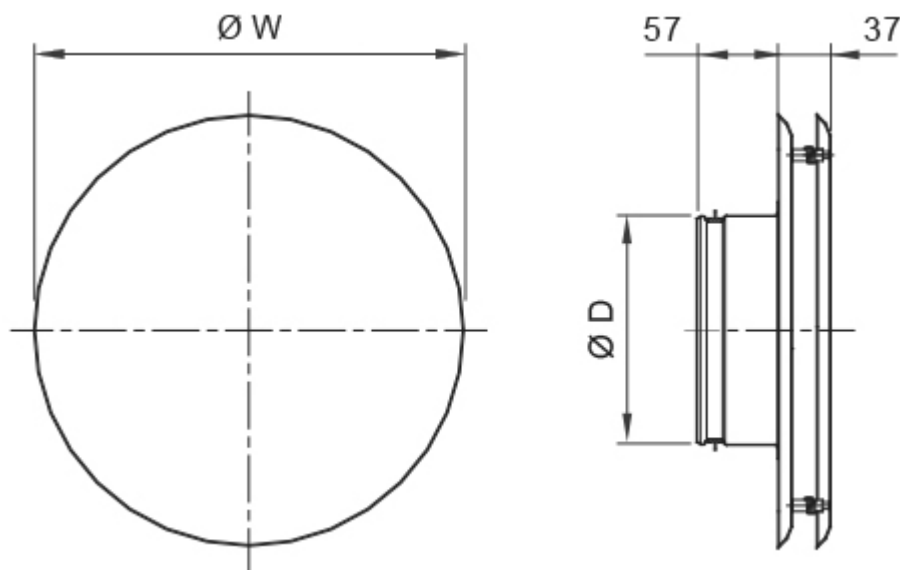
概述

- 可水平放散性供风，同时也可用于排气
- 由不锈钢制成
- 安装在通风管道或静压箱上
- 前挡板可拆卸，便于清洁
- 带密封圈的圆形管道接口

设计符合 USPHS 要求

Dimensions

TDMS dimensions and weights



NS	W	ØD	WEIGHT
100	300	99	1,3 kg
125	300	124	1,3 kg
160	300	159	1,6 kg
200	450	199	2,8 kg
250	450	249	2,8 kg
315	600	314	4,5 kg

Material and Finishing

PART	MATERIAL	NOTE
Upper plate	Stainless steel EN 1.4404 (AISI316)	–
Front panel	Stainless steel EN 1.4404 (AISI316)	Solid front panel
Coupling sleeve	Stainless steel EN 1.4404 (AISI316)	Gasket
Duct gasket	Rubber compound	–
Finishing	–	–

Function



Air is supplied horizontally into the space through the side slots of the diffuser and induces the room air outside the diffuser. The recommended maximum air temperature difference between supply and room air is 10 °C degrees.

Installation

Diffuser can be connected directly to the duct or plenum box.

Servicing

Open the front panel of the diffuser and clean the parts by wiping with a damp cloth. Push the front panel back into place so that the springs lock.