

Private: TDMS Circular ceiling diffuser for galleys – manufacturing stopped.



Overview

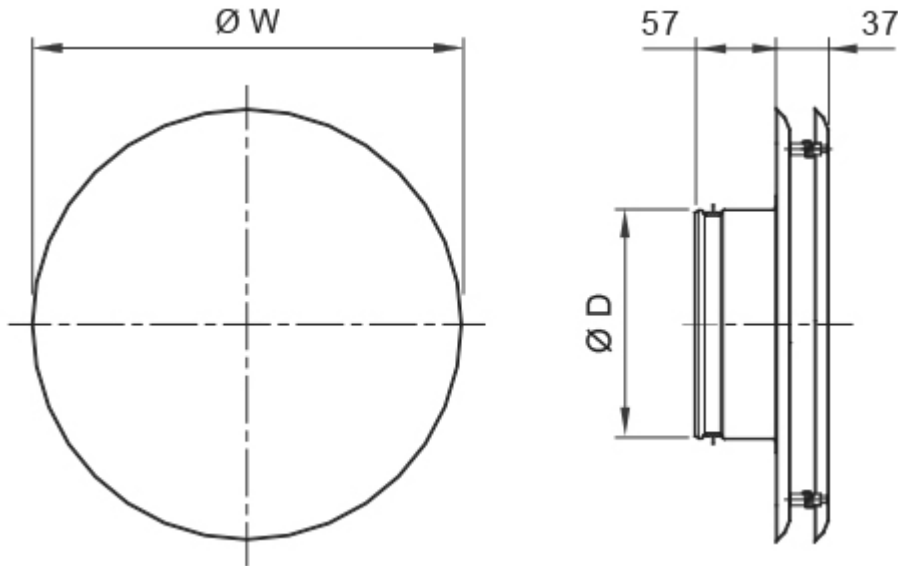
- Horizontal radial air supply, suitable also for exhaust
- Manufactured of stainless steel
- Installation either to ductwork or balancing plenum
- Detachable front plate enables cleaning of the diffuser
- Circular duct connection with gasket
- Design follows USPHS requirements

Specification

Halton TDM/S is a circular ceiling diffuser for circular duct connections D100...315 mm. The diffuser is manufactured of stainless steel. The coupling sleeve is equipped with a rubber compound gasket. The diffuser has a solid front plate. The detachable front plate is fixed to the upper plate with springs; cleaning of the diffuser can be carried out through the diffuser. Halton TDM is especially designed for low spaces and is therefore an excellent choice for galleys in marine, navy and offshore applications.

Dimensions

TDMS dimensions and weights



NS	W	ØD	WEIGHT
100	300	99	1,3 kg
125	300	124	1,3 kg
160	300	159	1,6 kg
200	450	199	2,8 kg
250	450	249	2,8 kg
315	600	314	4,5 kg

Material and Finishing

PART	MATERIAL	NOTE
Upper plate	Stainless steel EN 1.4404 (AISI316)	–
Front panel	Stainless steel EN 1.4404 (AISI316)	Solid front panel
Coupling sleeve	Stainless steel EN 1.4404 (AISI316)	Gasket
Duct gasket	Rubber compound	–
Finishing	–	–

Function



Air is supplied horizontally into the space through the side slots of the diffuser and induces the room air outside the diffuser. The recommended maximum air temperature difference between supply and room air is 10 °C degrees.

Installation

Diffuser can be connected directly to the duct or plenum box.

Servicing

Open the front panel of the diffuser and clean the parts by wiping with a damp cloth. Push the front panel back into place so that the springs lock.