

TDM 圆形顶棚散流器



概述

- 可水平放散性供风，同时也可用于排气
- With solid front panel
- 可安装在管道、静压箱或布风器上
- 前挡板可拆卸，便于清洁
- 带密封圈的圆形管道接口
- 可安装在浩盾布风器上
- 浩盾手动布风器可选配控制旋钮

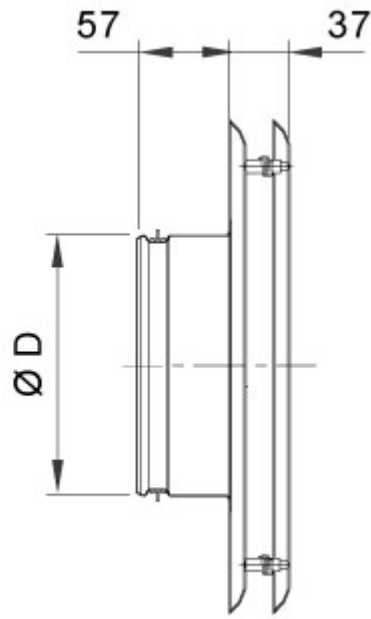
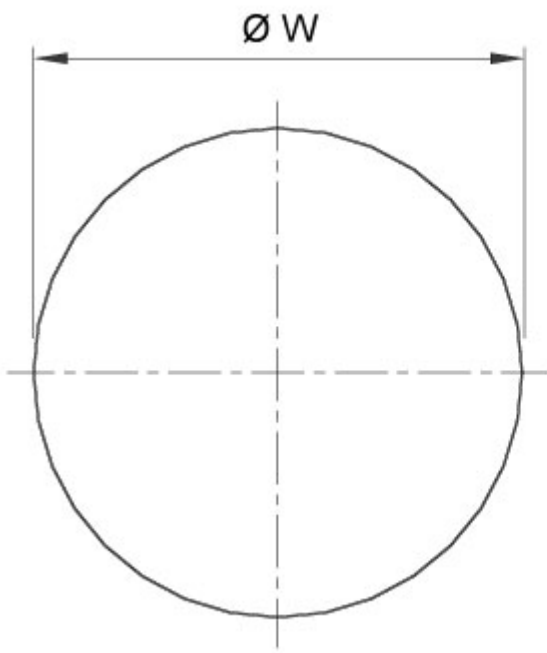
规格

浩盾 TDM 是适用于圆形管道接口直径为 160 至 250 mm 的圆形散流器，其材质为钢，白色 RAL 9010 标准色彩喷漆。其它颜色可订制。镀锌钢风口连接处配有橡胶密封圈组。散流器的前挡板可打孔或不打孔。前挡板可拆卸，固定在上板卡簧上。散流器和布风器可通过拆卸前挡板进行清洁。浩盾 TDM 专为吊顶位置较低的空间设计，因此是船舶、舰艇和钻井平台的最佳选择。TDM 可以安装在浩盾布风器上。可选配布风器手动旋钮。

Dimensions

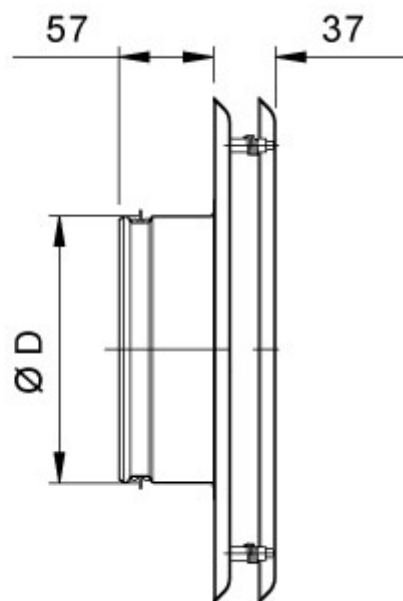
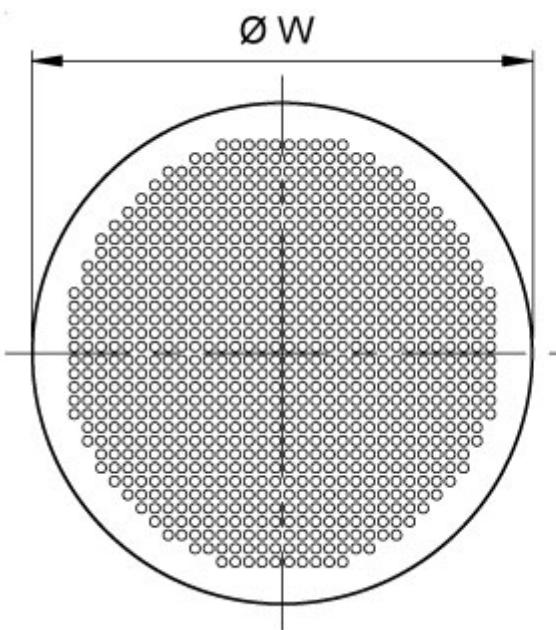
TDM general drawings

TDM/N



NS	W	ØD	Weight
160	300	159	1,6 KG
200	450	199	2,8 KG
250	450	249	2,8 KG

TDM/P



NS	W	ØD	Weight
160	300	159	1,4 KG
200	450	199	2,6 KG
250	450	249	2,6 KG

Material and Finishing

PART	MATERIAL	NOTE
Upper plate	Steel	
Front panel	Steel	TDM/N solid TDM/P perforated
Coupling sleeve	Galvanized steel	Gasket
Duct gasket	Rubber compound	
Finishing	Painted / White RAL 9010	Special colours available on request

Product Models and Accessories

Product models

TDM/N Solid front panel (without perforation)

TDM/P Perforated front panel

ACCESSORY	CODE	DESCRIPTION
Control knob	K	Control knob for Halton manual cabin unit

Function

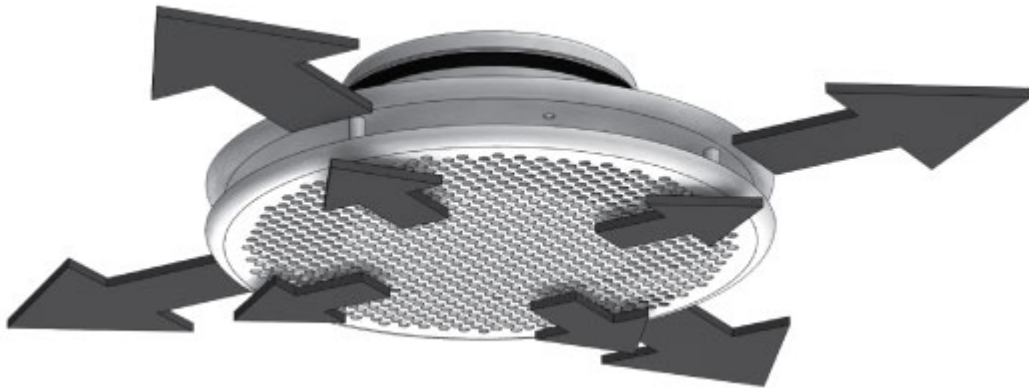
TDM/N

Air is supplied horizontally into the space through the side slots of the diffuser and induces the room air in the vicinity of the diffuser. The recommended maximum air temperature difference between supply and room air is 10 °C degrees.



TDM/P

Air is supplied horizontally into the space through the side slots and perforated front panel of the diffuser and mixes with room air in the vicinity of the diffuser. The air jet supplied horizontally through the side slots induces room air and mixed supply air. The recommended maximum air temperature difference between supply and room air is 10 °C degrees.



Installation

The diffuser can be connected to the Halton cabin unit by using duct between cabin unit outlet and diffuser in order to reach the false ceiling level. Diffuser can be also connected directly in cabin unit outlet. In this case cabin unit outlet has to be female connection. Diffuser can as well be connected directly to the duct or plenum box.

Servicing

Open the front panel of the diffuser and clean the parts by wiping with a damp cloth. Push the front panel back into place so that the springs lock.

Product Code