

TCG 用于厨房的低速顶棚散流器

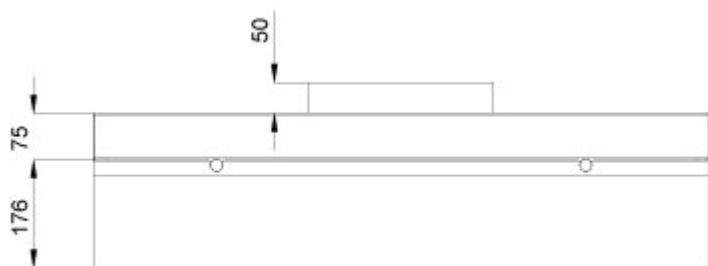


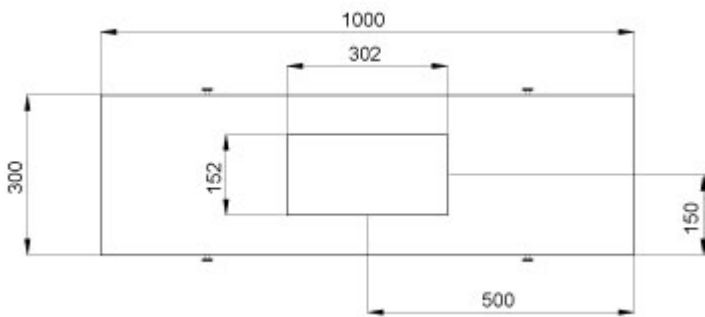
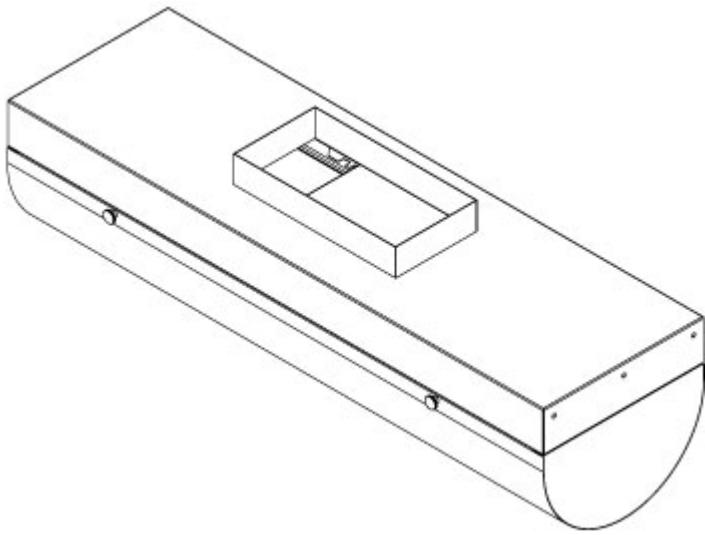
概述

- 供气速度较低
- 可能减少烟罩所需的排气量
- 能够将温度和噪声维持在人体舒适的范围内
- 方形管道接头的标准尺寸为 302×152 mm。可应要求提供特殊型号的圆形接头。
- 可拆除前挡板和打孔挡板，以便清洗散流器
- 根据 USPHS 要求制成

Dimensions and Weight

TCG dimensions, rectangular connection





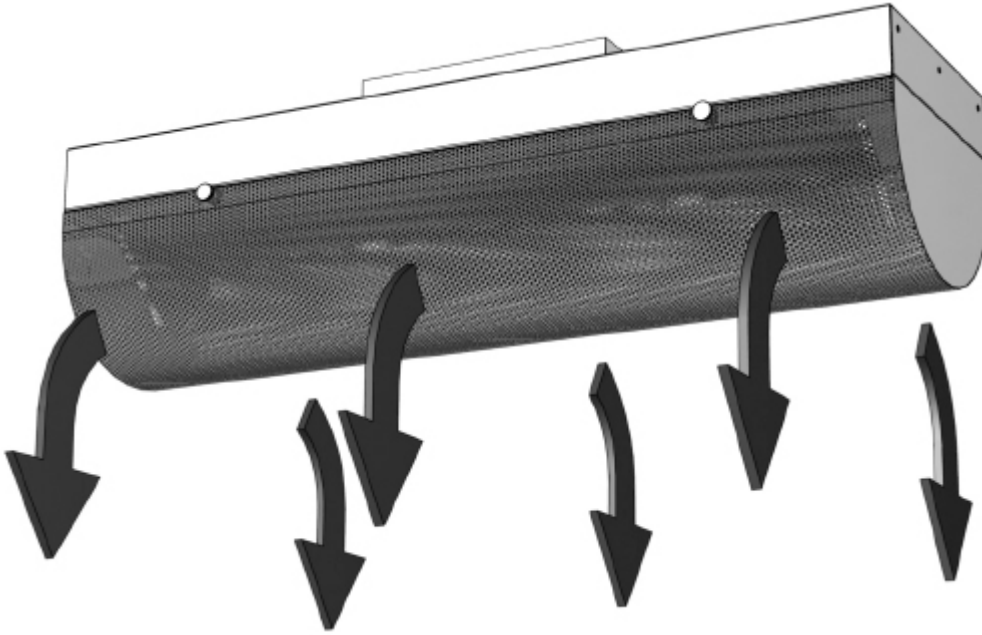
Weight

The standard TCG weights 11 kg.

Material

PART	MATERIAL
Casing	Stainless steel EN 1.4301 (AISI304)
Front plate	Stainless steel EN 1.4301 (AISI304)
Flow equalization element	Perforated stainless steel EN 1.4301 (AISI304)
Adjustment plate	Stainless steel EN 1.4301 (AISI304)
Installation sleeve	Stainless steel EN 1.4301 (AISI304)

Function

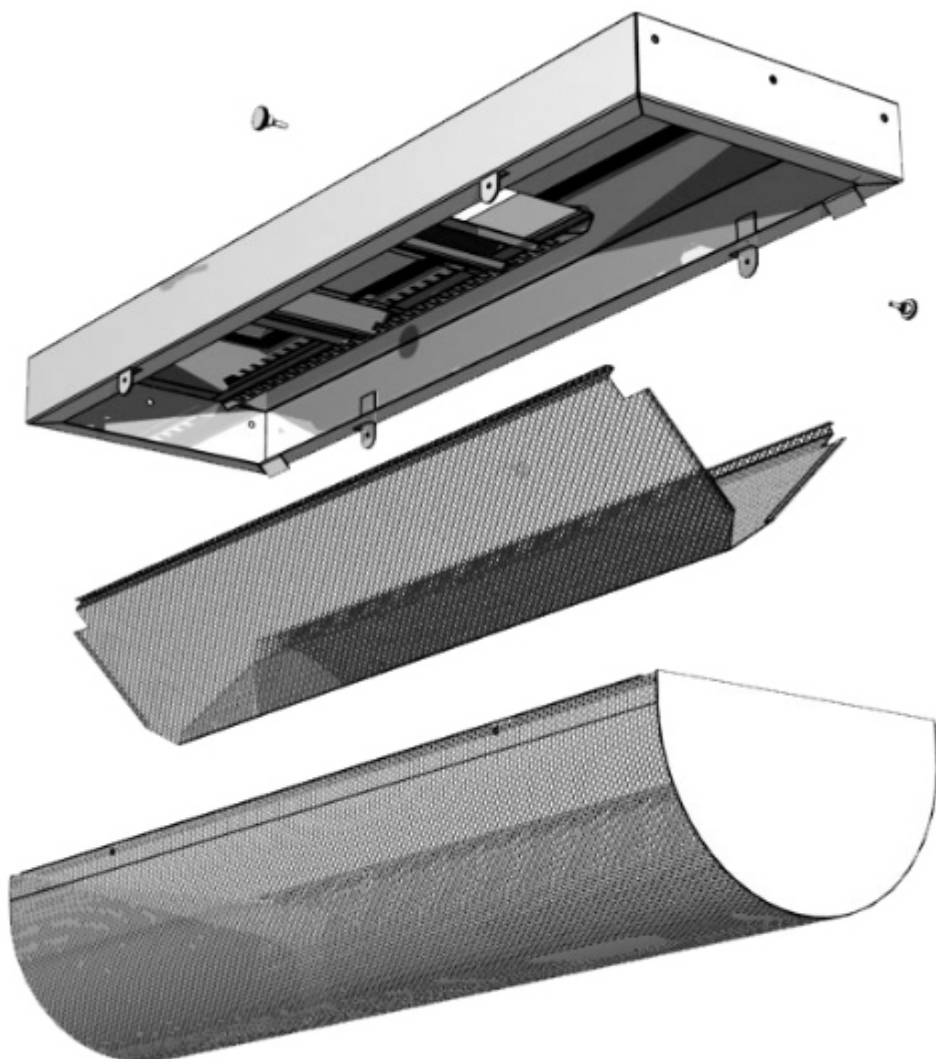


Supply air is supplied with low velocity from the galley ceiling. The air flows into the galley without causing a high velocity draught and turbulence that could effect on hood extraction efficiency.

Installation

Installation instruction are available from Halton Marine.

Servicing



The front panel and inner perforated plate can be detached for cleaning. Wipe the parts with damp cloth or wash them in washing machine.

Pressure drop and sound levels

Pressure drop

AIRFLOW (m ³ /h)	P STATIC (Pa)
500	4
800	10
900	12

Sound levels

Airflow	Lw	Lw(A)	Lp(A)	NR	NC
(m ³ /h)	dB	dB(A)	dB(A)	dB(A)	dB(A)
500	38,9	32,5	28,5	27,1	23,5
800	42,3	37,5	33,5	29,3	27,8
900	44,1	39,9	35,9	32,1	30,6

Attenuation -4dB