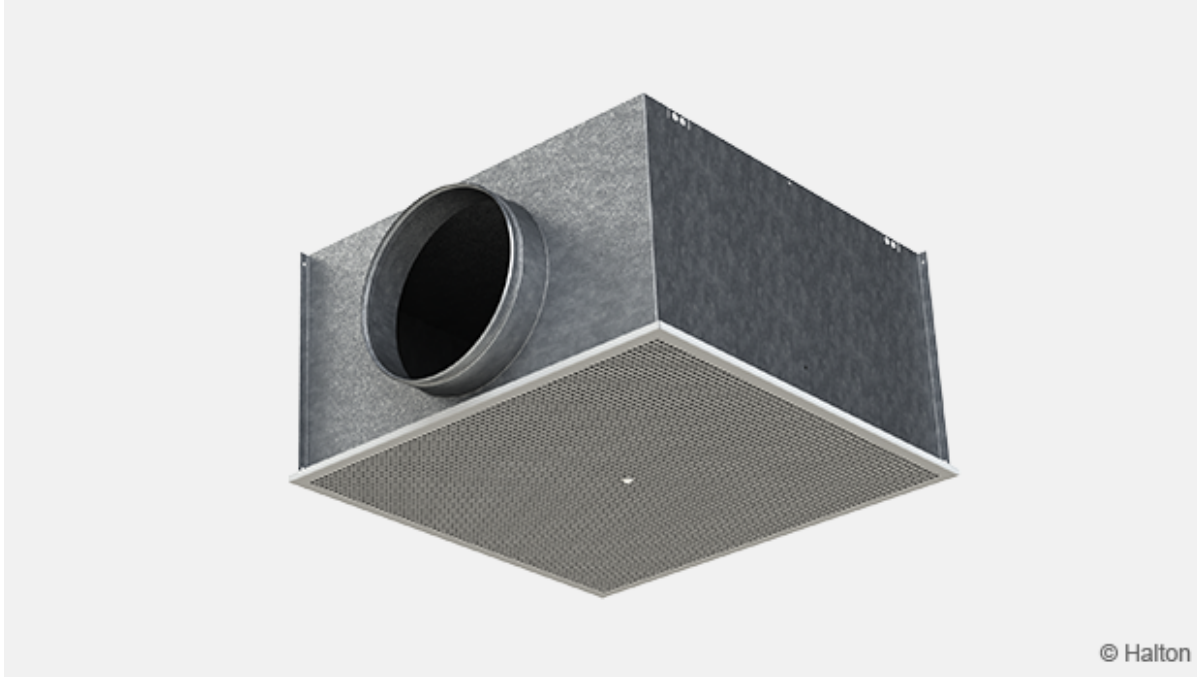


# Halton Jaz JRP – Swirl diffuser



## Overview

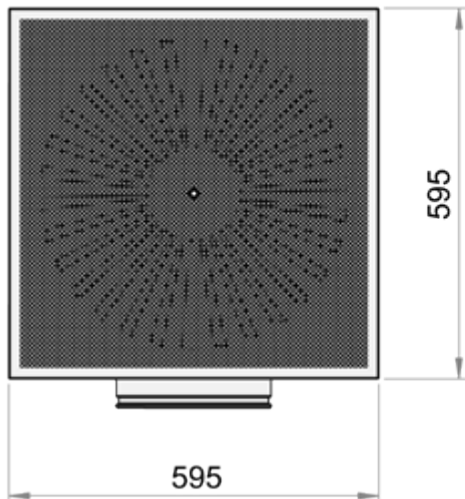
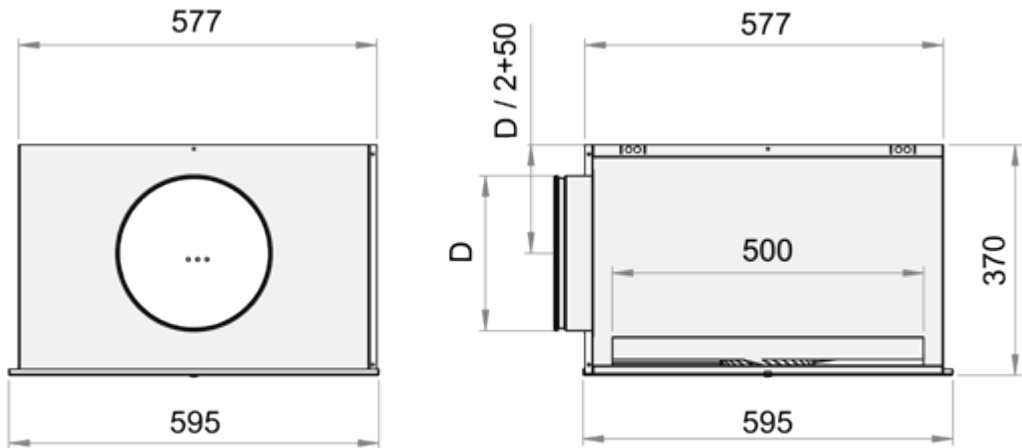
Halton JRP is a swirl type ceiling diffuser unit with a square-shaped, perforated front plate.

- High induction swirl jet ensures efficient mixing and fast reduction of air velocity.
- Intended for suspended ceilings 600×600. The fixed swirl plate generates large inductive power which ensures effective mixing of the supply air with air present in the room, as well as enables fast temperature decrease resulting in low air velocities in the comfort zone.
- The device is perfectly suited for installations with variable airflow.
- Cooperates particularly well with fan-coil units operating at various speed (variable flow from 25% to 100% depending on the settings).
- Horizontal air supply.
- Suitable for supply and exhaust.
- Ceiling integration installation.
- Supply air jet velocity is effectively reduced due to high mixing effect.
- Circular duct connection with rubber gasket.

## Product models and accessories

- Optional customisation of perforation type to customer requirements for projects is possible upon prior consultation.
- Type for 675\*675 mm ceiling available on request.
- Sound attenuation for plenum.

# Dimensions



NS	ØD
250	249

Installation hole in the ceiling: 600 x 600 mm

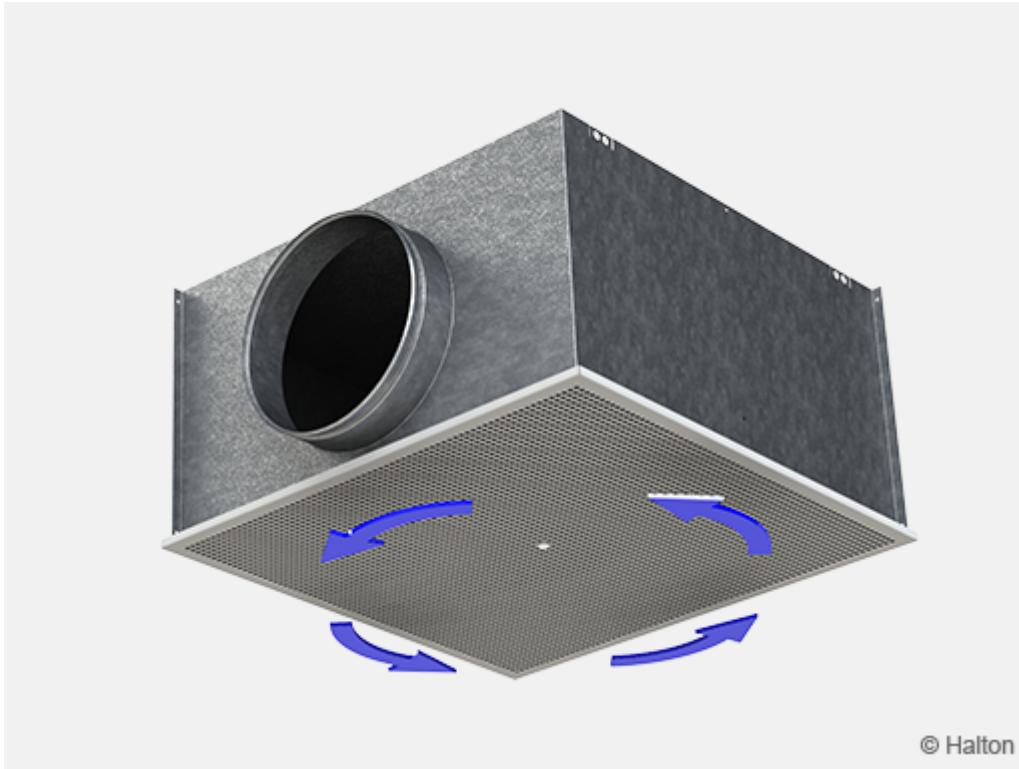
# Material

Part	Material	Finishing	Note
Casing	Galvanised steel	–	–
Front panel	Steel	Epoxy-painted, white (RAL 9003 / 30%)	Special colours available
Swirl part	Galvanised steel	–	–
Coupling sleeve	Galvanised steel	–	–
Screw cover	Plastic	–	White
Sound attenuation material	Polyester fibre	–	–
Duct gasket	Rubber compound	–	–

# Product models

Model	Description
JRP/S	Swirl diffuser unit for supply air with adjustment and measurement module( MSM) and internal sound attenuation (mineral wool or polyester fibre)
JRP/E	Swirl diffuser unit for exhaust air with adjustment module( MEM) and internal sound attenuation (mineral wool or polyester fibre)
JRP/N	Swirl diffuser unit (selectable options) – without adjustment and measurement module MSM (supply), adjustment module MEM (exhaust) and internal sound attenuation – with adjustment and measurement module MSM (supply) and without sound attenuation – with adjustment module MEM (exhaust) and without sound attenuation – without adjustment and measurement module MSM (supply) and with sound attenuation – without adjustment module MEM (exhaust) and with sound attenuation

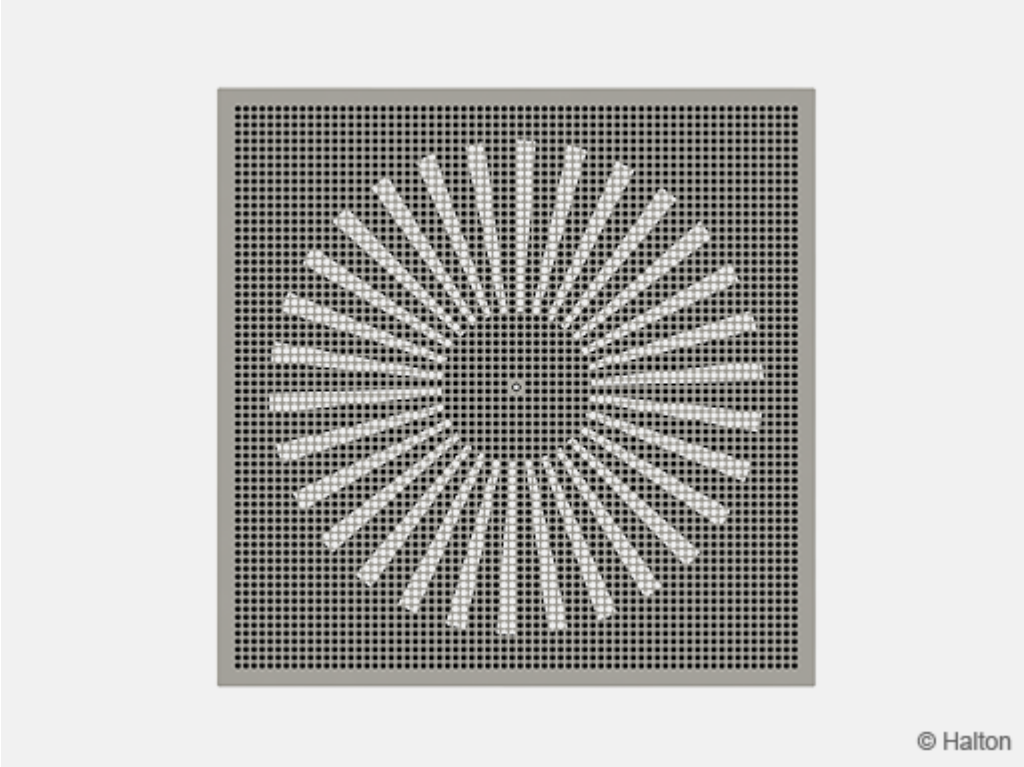
# Function



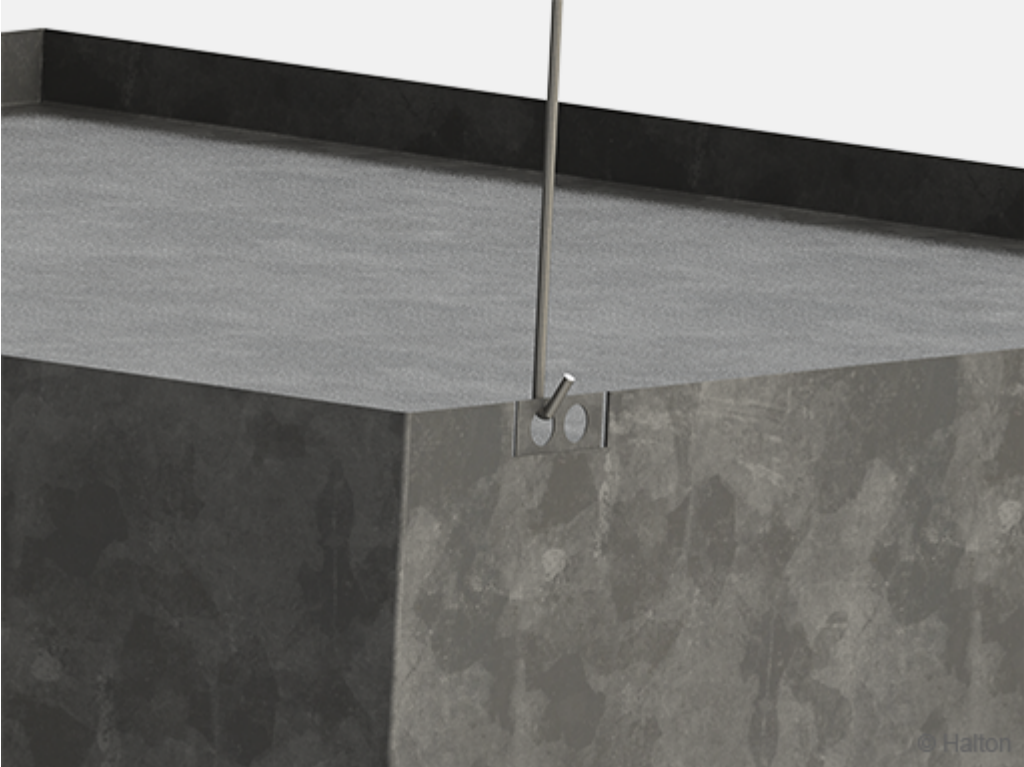
Horizontal radial swirl jet is supplied into the space through the profiled spiral blades of the diffuser. Supply air jet velocity is efficiently reduced due to the high mixing effect.

Halton JRP can also be used as an exhaust unit.

# Front plate



# Installation



We recommended installing the plenum part into the suspended ceiling with metal hangers (not supplied in the delivery) and connected to the ductwork with the spigot equipped with an integral

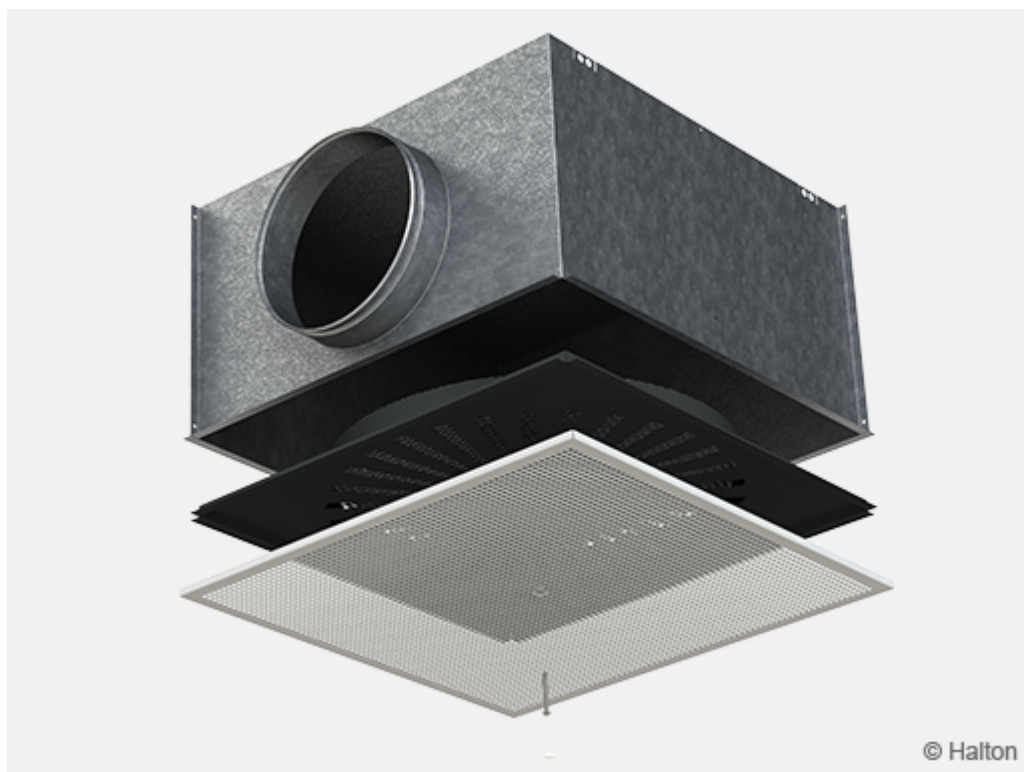
rubber gasket.

## Adjustment

It is not possible to adjust the airflow in Halton JRP itself.

In order to enable airflow adjustment and measurement of airflow rate it is recommended to use Halton PRA adjustment and measurement unit.

## Servicing



Detach the front panel of the diffuser by removing the central bolt and pulling it down, together with the swirl element. Wipe the parts with a damp cloth.

Push the front panel and swirl element back into place and fasten the central bolt.

## Specification

Halton JRP is a swirl type ceiling diffuser with a square-shaped powder-coated perforated front plate with a galvanised swirl element and plenum. The swirl element generates high induction swirl jet which ensures effective mixing of the supply air with air present in the room, as well as enables fast temperature decrease resulting in low air velocities in the comfort zone.

# Order code

## JRP/S-D, OM-AT-IN-CO-ZT

### S = Model

- S Supply (with MSM, sound attenuation)
- E Exhaust (with MEM, sound attenuation)
- N Naked (without MSM, MEM and sound attenuation)

### D = Diameter of duct connection (mm)

250

## Other options and accessories

### OM = Measurement/adjustment module

- YS MSM installed (supply)
- YE MEM installed (exhaust)
- NA No measurement or adjustment module

### AT = Sound attenuation material

- P Polyester fibre
- W Mineral wool
- NA No sound attenuation

### IN = Sound attenuation options

- 4 Sound attenuation on 4 sides
- NA No sound attenuation

### CO = Colour

- SW Signal white (RAL 9003)
- X Special colour (RAL xxxx)

### ZT = Tailored product

- N No
- Y Yes (ETO)

## Code example

JRP/S-250, OM=YS, AT=P, IN=4, CO=SW, ZT=N