

Vita

Halton Vita VSG - Installation Guide



Contents

1 Introduction	3
1.1 Copyright and disclaimers.....	3
1.2 How to use this guide.....	3
1.3 Summary of changes.....	3
1.4 Safety notes	4
1.5 Contact information.....	5
2 Product description.....	6
2.1 Overview	6
2.2 Function	7
2.3 Structure and material.....	8
2.4 Further technical details	8
3 Installation	9
3.1 Before you start	9
3.1.1 Installation process	9
3.2 Step by step instructions.....	9
3.2.1 Installing Halton Vita VSG in the exhaust duct	9
4 Technical reference data.....	14
4.1 Dimensions and weight.....	14

1 Introduction

1.1 Copyright and disclaimers

The contents of this document are strictly confidential and for information purposes only. Disclosing the information in this document without an appropriate contract or permission by Halton to any third party is prohibited. This document remains the sole property of Halton and may not be duplicated, borrowed, copied, amended, modified, reproduced, transmitted or distributed to any third party without the prior written consent of Halton. Any information held in this document or associated materials may only be used for the purpose specified in this document.

Halton disclaims any and all liability related to this document. Halton gives no explicit or implied warranties in terms of this document. Any permitted use of the information included herein is at your own risk. Halton may amend or replace the information included in this document at its sole discretion without further notice and liability.

All intellectual property rights or applications thereof, including without limitation copyright, model rights, patents, trade secrets, trade names, trademarks, know-how (whether registered or unregistered) attributable to this document remain the sole and exclusive property of Halton. No rights or licenses are granted.

1.2 How to use this guide

This guide provides detailed instructions on how to install the Halton Vita VSG exhaust grille.

1.3 Summary of changes

Version	Date	Description
1.0	2019-03-01	First version
2.0	2019-07-02	<ul style="list-style-type: none"> • Structure picture updated • Grille installation holes dimensions updated & given in the tables for each grille nominal size. • New dimensions of wall thickness for inward and outward grille installation.
2.1	2019-12-09	<ul style="list-style-type: none"> • Structure changed • Safety notes & Contact information chapters added
2.2	2020-03-11	<ul style="list-style-type: none"> • Dimension drawings updated • Dimension tables updated • Weight information added • Structure picture and material table added

1.4 Safety notes

All information in this section is important and relevant for your safety. Please pay special attention to these icons and the accompanying messages when used later in context in this manual.

Warnings

Warning signs indicate a risk of personal injury including death. There is also a potential risk of material damage. Pay attention to the following signs when performing any tasks or moving in the area:



WARNING!

This symbol indicates a potential hazard, obstacle or condition requiring special attention.



DANGER OF ROTATING UNIT PARTS!

This symbol indicates a hazardous location with a risk of personal injury including death and material damage.



DANGER OF OVERHEAD LOADS!

This symbol indicates a hazardous location with a risk of personal injury including death and material damage.



DANGER OF PERSONAL INJURY!

This symbol indicates a hazardous location (excluding the above-mentioned danger areas) with a risk of personal injury including death and material damage.

Cautions

Caution signs indicate a risk of personal injury or material damage. To ensure your own safety, consider the following cautions:



CAUTION!

This symbol indicates a hazardous location with a risk of material damage that can also lead to personal injury.



CAUTION! HEAVY OBJECT

Do not lift objects over 20kg (44lbs) alone. Use a lift or seek assistance.



CAUTION!

Risk of personal injury or material damage.

Notes

NOTE: Notes are statements to which you should pay special attention.

1.5 Contact information

You can find the contact details from www.halton.com/contact.

2 Product description

2.1 Overview



Halton Vita VSG is an exhaust grille for all Halton Vita OR Space and Halton Vita OR Zone solutions. It is an alternative to the Halton Vita VSC exhaust unit in designs where more flexibility in the placement of the exhaust is needed.

Application areas

- Operating rooms in hospitals
 - Halton Vita OR Space 5 solution
 - Halton Vita OR Space 7 solution

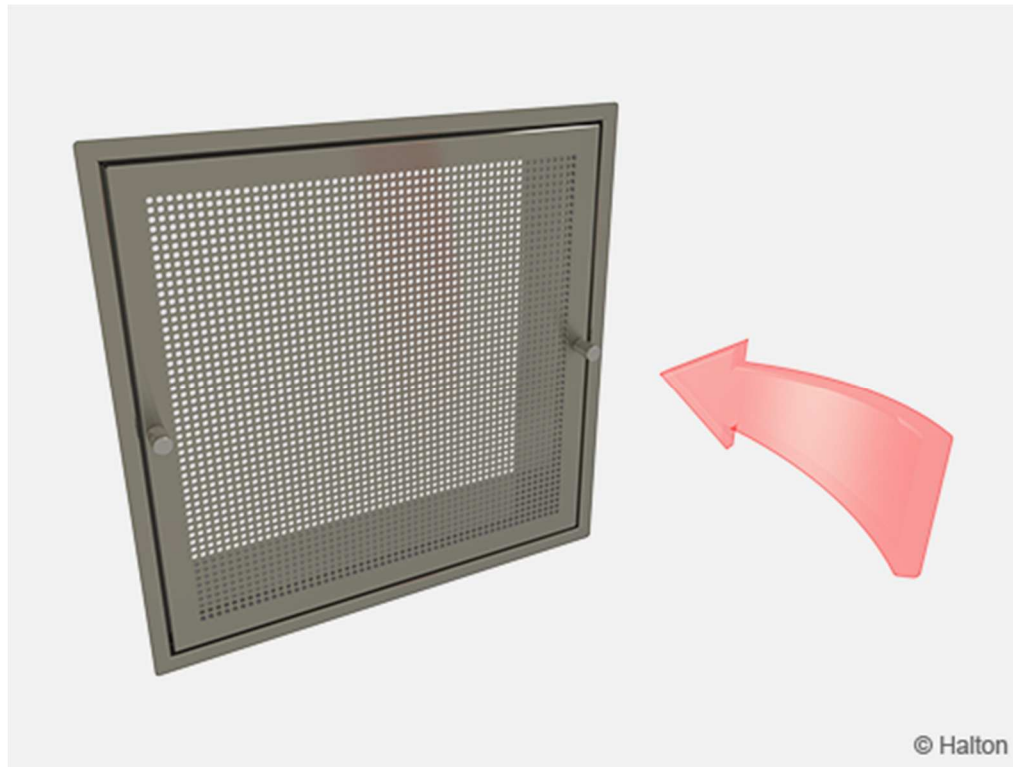
Key features

- Stainless steel exhaust air grilles equipped with a metal mesh fluff separator
- The stainless steel front panel is easy to remove and clean; can be sterilised in an autoclave

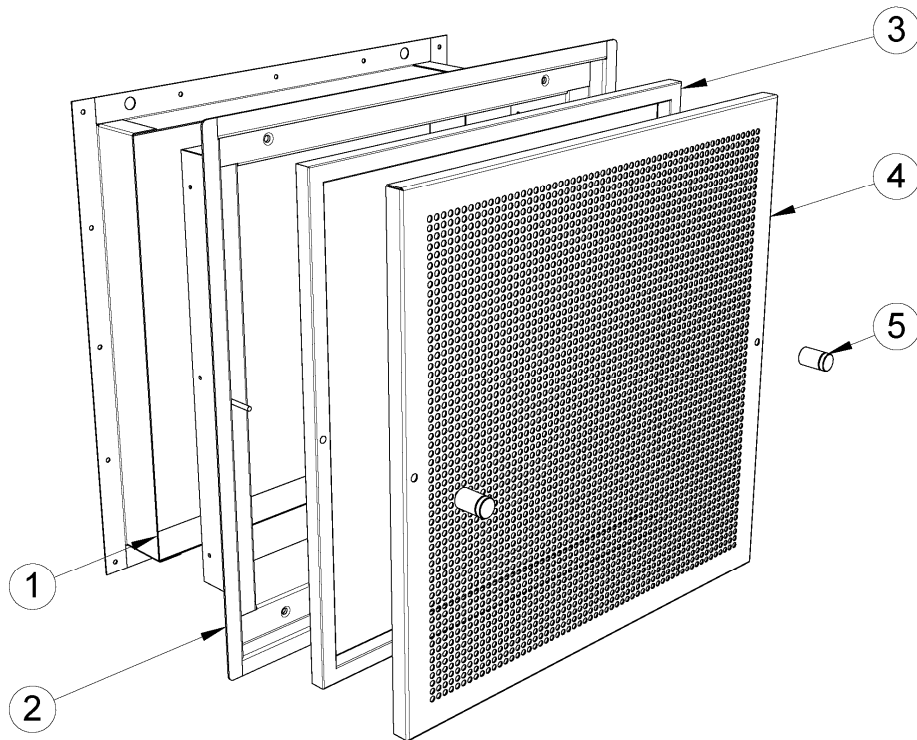
2.2 Function

Air is exhausted from the space through the grille and the filter.

The purpose of the separator is to prevent fibre particles originating from the clothing of the personnel and other operational textiles from entering the ventilation system.



2.3 Structure and material



No.	Part	Material
1	Fixing frame	Galvanised steel
2	Exhaust grille frame	Stainless steel (AISI 316L)
3	Metal mesh fluff separator	Stainless steel (AISI 316L)
4	Front panel	Stainless steel (AISI 316L)
5	Fixing knob	Stainless steel (AISI 316L)

2.4 Further technical details

For Halton Vita VSG dimensions and weight see the *Dimensions and weight* chapter in the technical reference data section.

3 Installation

3.1 Before you start

3.1.1 Installation process

This chapter outlines possible installation locations and related components.

Installation location

Halton Vita VSG units can be installed in the Halton Vita VSC unit or in the exhaust duct, behind a wall element.

Related components

Halton Vita VSG exhaust grilles are included in the Halton Vita VSC exhaust unit delivery. They complete the Halton Vita VSC installation.

3.2 Step by step instructions

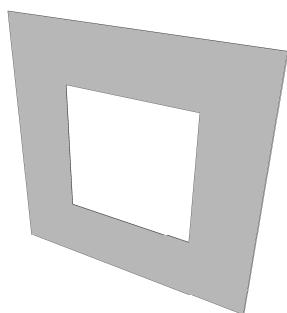
3.2.1 Installing Halton Vita VSG in the exhaust duct

While installing the grille in the exhaust duct, the placement is flexible. The ventilation contractor carries out the installation.

1. Make a hole to the exhaust duct for the fixing frame installation.

NS	Installation hole dimensions
400x200	405x205
400x400	405x405
500x250	505x255
500x500	505x505
600x250	605x255
600x600	605x605

Fixing frame installation hole dimensions for different grille nominal sizes

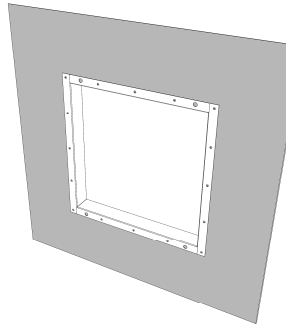


2. Choose the orientation of the fixing frame installation.

The orientation of the fixing frame depends on the wall thickness. If the fixing frame is facing:

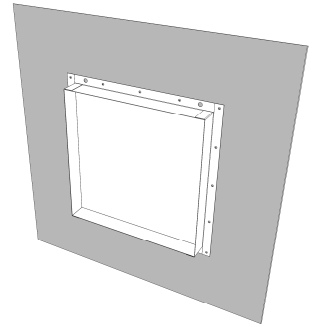
- Inwards

The wall thickness has to be between 30-75 mm.

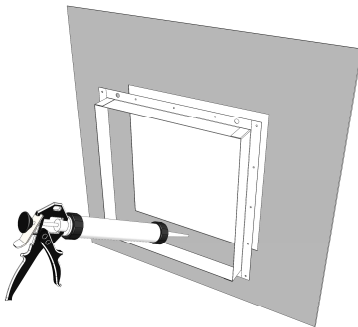


- Outwards

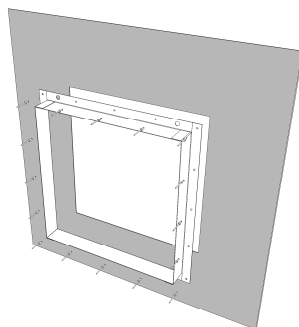
The wall thickness has to be between 75-125 mm.



3. Apply the sealant mass to seal the fixing frame to the exhaust duct.



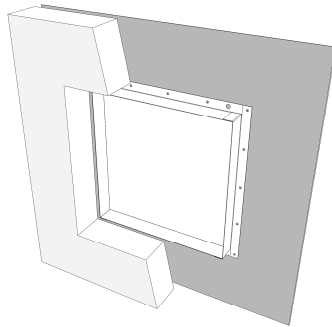
4. While pressing the fixing frame against the duct, drill the holes and fix the fixing frame with pop rivets.



5. At this stage, the exhaust duct should be covered with a wall element. The wall element should have a hole for the grille. Check the hole dimensions in the table below.

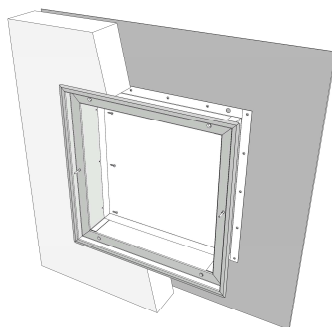
NS	Hole Dimensions
400x200	465x265
400x400	465x465
500x250	565x315
500x500	565x565
600x250	665x315
600x600	665x665

Hole dimensions for different grille nominal sizes



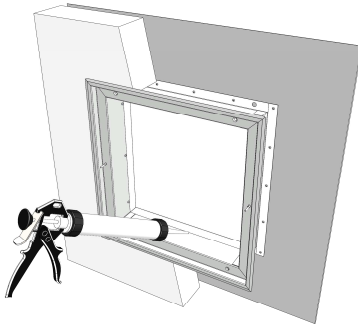
NOTE: This step is carried out by the building contractor. The wall element is not supplied by Halton.

6. Fix the grille frame to the fixing frame with self-drilling screws.

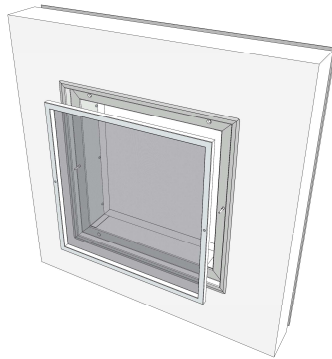


NOTE: While fixing the grille frame push it against the wall and pull the duct against the grille for a solid installation.

7. Seal the gap between the grille frame and the fixing frame with sealant mass.



8. Align the metal mesh fluff separator so that the mesh side is facing the duct.

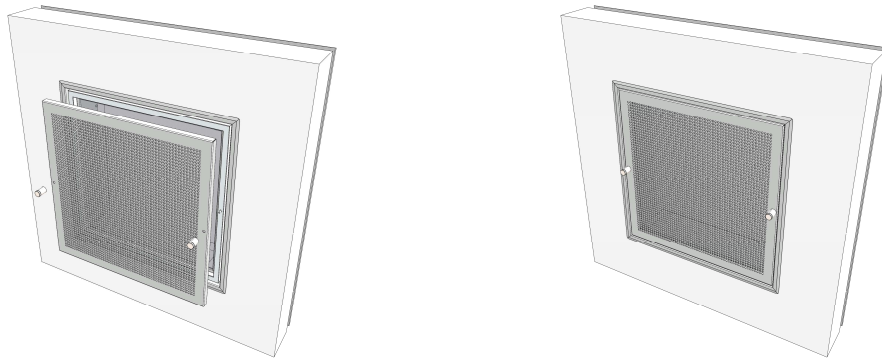


NOTE: Metal mesh fluff separator is optional.

9. Mount the metal mesh fluff separator to the grille frame by putting it on the bolt that frame has (optional).



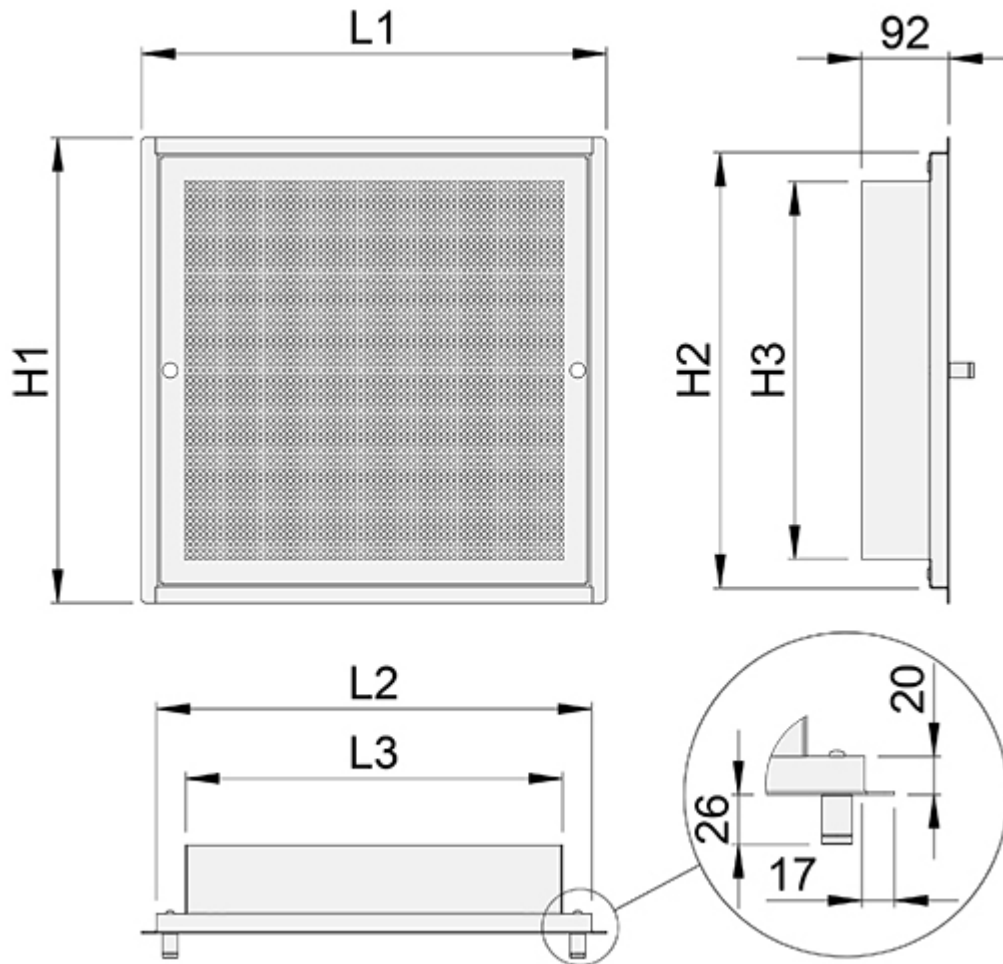
10. Screw the knobs to fix the front panel to the grille frame.



4 Technical reference data

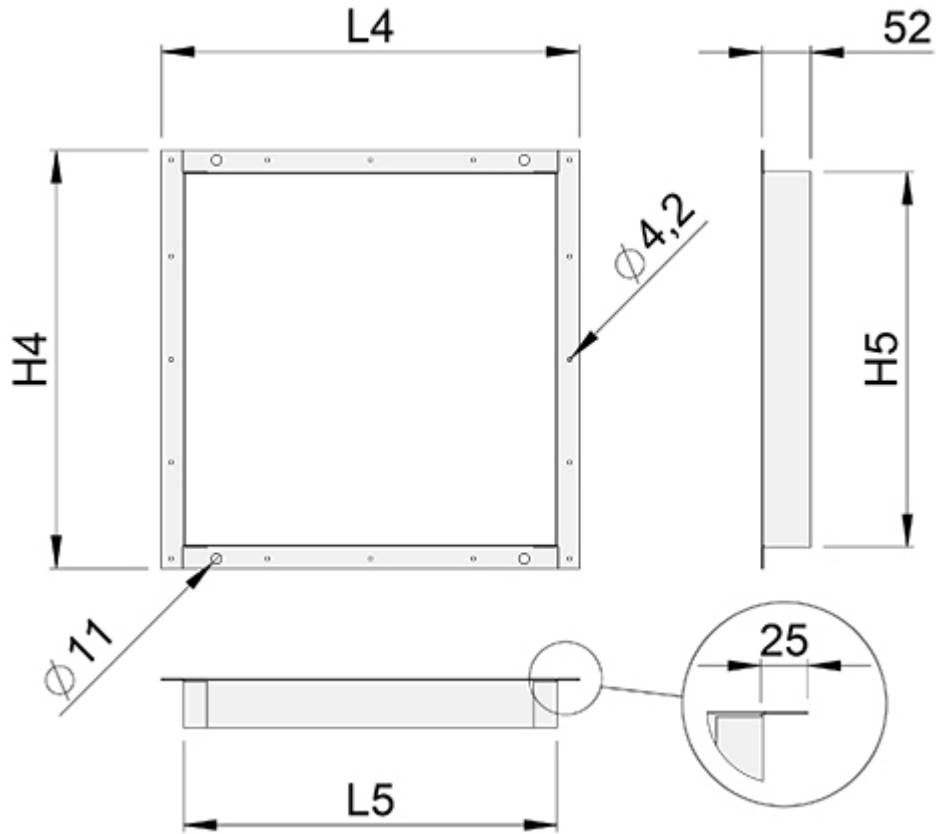
4.1 Dimensions and weight

The dimensions for the six exhaust grille sizes are detailed in the table.



NS	L1	L2	L3	H1	H2	H3	Weight (kg)
400x200	487	456	395	287	256	195	6.5
400x400	487	456	395	487	456	395	9.0
500x250	587	556	495	337	306	245	8.0
500x500	587	556	495	587	556	495	11.0
600x250	687	656	595	337	306	245	9.0
600x600	687	656	595	687	656	595	13.5

Halton Vita VSG dimensions and weight



NS	L4	L5	H4	H5
400x200	447	399	247	201
400x400	447	399	447	401
500x250	547	499	297	251
500x500	547	499	547	501
600x250	647	599	297	251
600x600	647	599	647	601

Halton Vita VSG frame dimensions