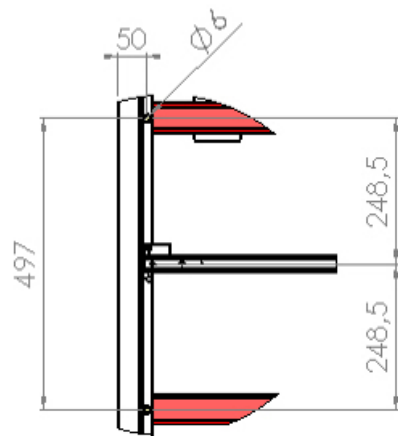
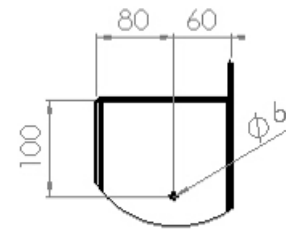


SECTION A-A



DETAIL B



DETAIL C

No.	SAP Item	description	date	material	pos	draw.No.
		Halton	drawn	11.02.2015	proditor	USL 3000x2000
			check.		deso.	
			appd.		material	
			draw.			
			replace		project	
			dw. No.	SWD37513	rev. A	
						pos/prod.