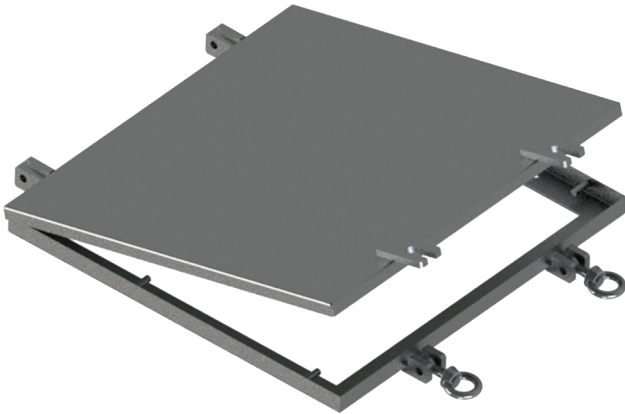


WTH WEATHER TIGHT HATCH

A cover for droplet separators and louvres



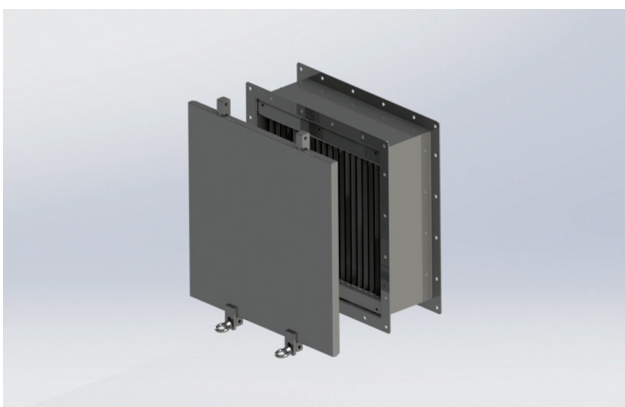
MATERIALS

PART	MATERIAL	FINISHING
Hatch cover	Steel	Painted or galvanised
Hatch cover	Stainless steel EN 1.4404 (AISI 316L)	-
Hatch frame	Steel	Painted or galvanised
Hatch frame	Stainless steel EN 1.4404 (AISI 316L)	-

PRODUCT OPTIONS

Halton WTH can be fitted with:

- Halton droplet separator
- Halton external louvre
- Halton droplet separator and dampers



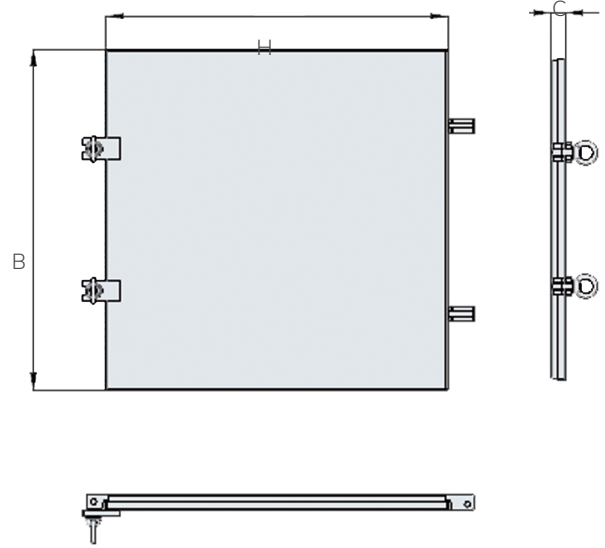
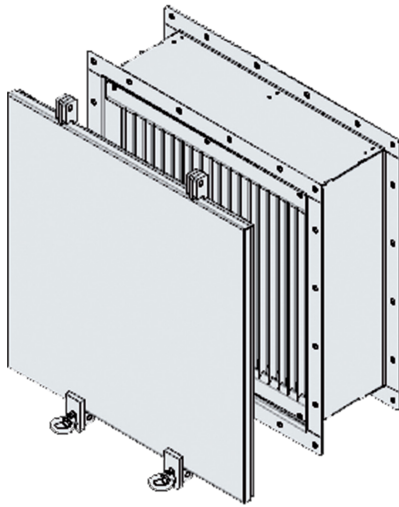
APPLICATIONS

Halton WTH weather tight hatch effectively prevents rainwater, snow, leaves, animals, and other objects from entering ductwork. The hatch can be used as a cover for droplet separators and outdoor louvres. It is designed for demanding applications such as marine, oil & gas, chemical, and energy industries where reliability and ease of installation play an important role. The hatch is used to seal ventilation openings in applications close to the waterline and even in rough seas.

FEATURES

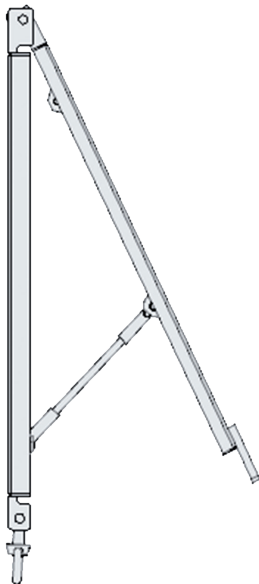
- Weather tight cover for use with Halton Marine droplet separators, louvres, and dampers
- Easy to open and close
- Easy to install
- No special maintenance required
- Variable open position
- Lockable
- Customised size and module design available
- Stainless steel as standard, painted steel as an option

GENERAL WTH DRAWINGS



WTH hatches are manufactured for rectangular openings (width B: 100-1200 mm and height H: 100-1200 mm, with 1 mm increments). Modular construction for larger sizes is available. Cover thickness (C) is a minimum of 34 mm but can vary based on material thickness.

HATCH OPENING



OPTION 1.
Hatch opening in different angle based on customer requirements.



OPTION 2.
Hatch opening 180 degrees with mounting brackets.

M07V2024/Halton reserves the right to alter products without notice.