

For KWH and KWT galley hoods



### MATERIALS

PART	MATERIAL	NOTE
Main body	Stainless steel EN 1.4301 (AISI 304)*	Available as an option: EN 1.4404 (AISI 316L)
Connection pipes	Copper	-
Enclosures	Plastics	-
Booster pump	Painted steel	1-phase, 230 VAC
Soap pump	Plastics	1-phase, 230 VAC

\* Thickness 1.25 mm

### PRODUCT OPTIONS

- Stainless steel EN 1.4404 (AISI 316L)
- Operating frequency of 50 Hz or 60 Hz
- UV-light technology control system
- Fan control switch (ON/OFF)

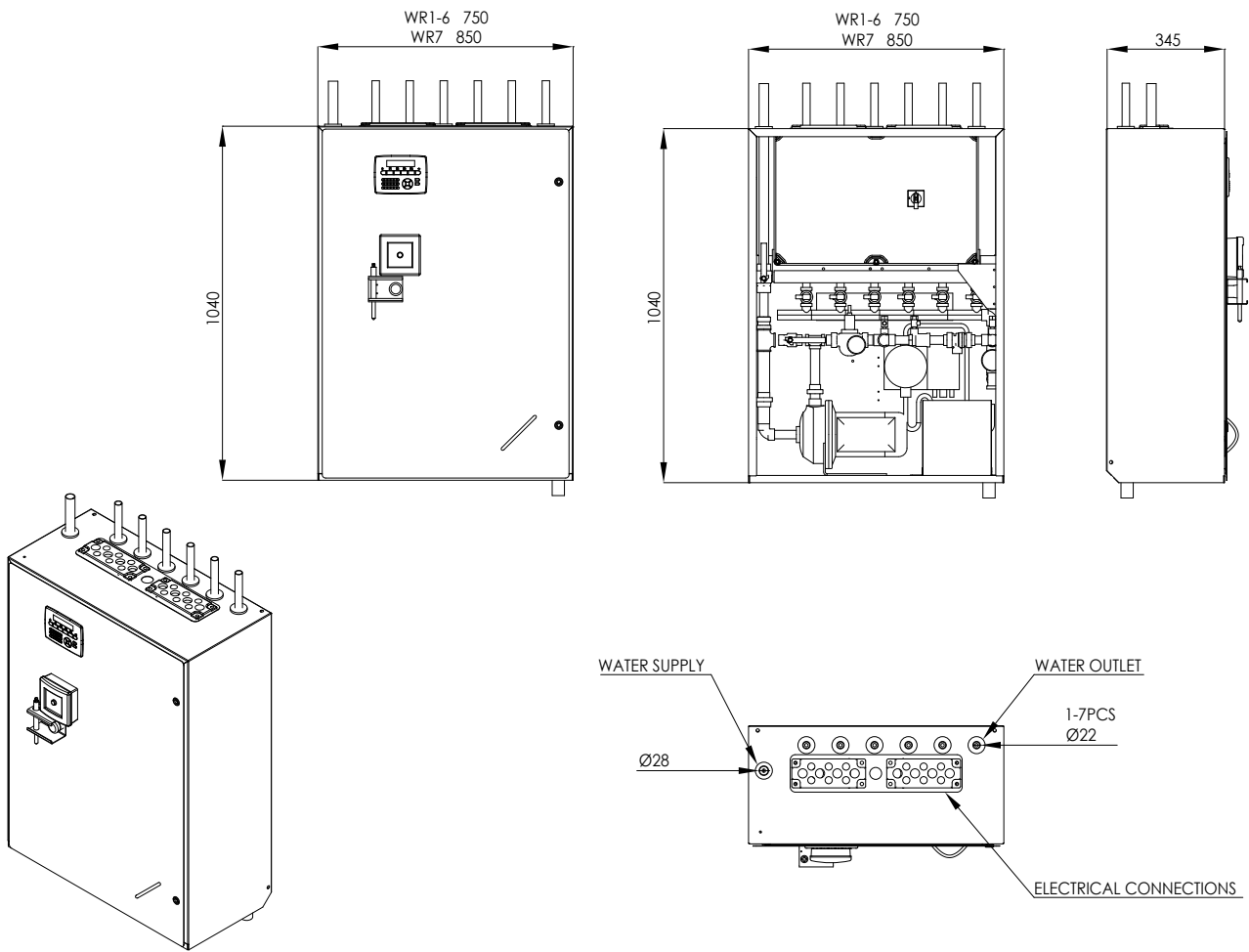
### APPLICATIONS

Halton WR water wash control cabinets are used to control the washing cycle of Halton galley hoods KWH and KWT. The water wash control cabinet automatically washes down the grease filters and UV-lamps (when equipped with UV-light technology) without the need to remove the filters and UV-lamps from the hood. The washing cycle is fully automatic and programmable for use under different operating conditions. The washing process can be manually overridden when required.

### FEATURES

- Compact design
- Fully automatic control system
- All control devices located on the cabinet door
- Designed for galley conditions
- Stainless steel EN 1.4301 (AISI 304). Available as an option: EN 1.4404 (AISI 316L)
- Controls 1-7 hood groups
- Designed and manufactured according to USPHS guidelines

**GENERAL DRAWINGS**



M07Y2024/Halton reserves the right to alter products without notice.

**WEIGHT**

The WR control cabinet weighs between 75 and 82 kg, depending on the size.

**SUPPLY CONNECTION REQUIREMENTS**

Water supply:

- Min temperature: 50°C
- Max temperature: 60°C

Power supply:

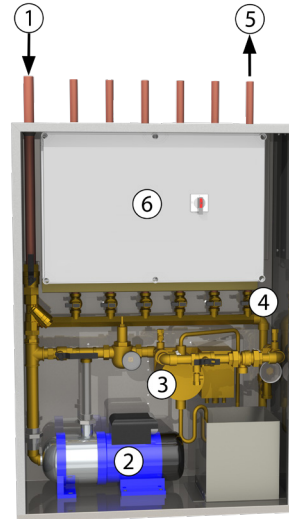
- 230VAC 50/60Hz 10A service

**CONSTRUCTION**

The control cabinet comprises the main body, washing pipes, enclosure, booster and detergent pumps. All parts of the main body are manufactured from polished stainless steel EN 1.4301 (AISI 304). The control interface is located on the cabinet door.

**FUNCTION**

1. Supply water enters the water wash cabinet
2. A booster pump is used if higher water pressure is needed
3. The detergent pump adds detergent to the water
4. Electromagnetic valves control the mixture of detergent and water to the hoods
5. A maximum of 7 water outlets are included in each cabinet, capable of washing up to 5 metres of filter length per outlet
6. PLC-based control system for controlling each function



**CONNECTIONS TO SHIP SYSTEMS**

